



MOBILE MIXERS

PARTS MANUAL

325 - 375 - 425

**FEEDLOT, HAYMOGENIZER,
STATIONARY, TRUCK, & TRAILER MODELS**

Serial number up to _____

Harsh International, Inc.
600 Oak Ave.
Eaton, CO 80615-0007
(970) 454-2291
Fax: (970) 454-3491

Price: \$2.50

Parts book number: **102615B**

Table of Contents

Harsh Mobile Mix Limited Warranty	3
Parts Ordering Information	7
Mixer Orientation	8
Trailer Frame (Load Cell)	9
Trailer Frame (Weigh Bar)	13
Trailer Frame (Load Cell)	15
Sub Frame Truck	17
Sub Frame Truck (Load Cell)	18
Sub Frame Truck 325 (Load Cell)	20
Sub Frame Truck 375 (Load Cell)	21
Sub Frame Truck 375 Hydro (Load Cell)	22
Sub Frame Truck 425 (Load Cell)	24
Sub Frame Truck 425 Hydro (Load Cell)	25
GTD	27
Drive Line Trailer	28
Drive Line Truck	30
Auger Assembly (Feed Augers)	34
Auger Assembly (Hay Augers)	36
Auger Group 375 (EZ Mix)	38
Auger Group 425 (EZ Mix)	40
Rear Drive	42
Rear Drive (UHMW Tensioners)	45
Discharge (Formed Bottom)	47
Discharge (Dual Flat Bottom)	49
Discharge (Dual Auger W/ Door Assembly)	51
Discharge (Dual Auger W/ Bearing Housing)	53
Discharge (Triple Auger W/Bearing Housing)	59
Liners	65
Trailer Hydraulics	67
Hydraulic Components	70
Truck Hydraulics	71
Discharge Door Cylinder	73
Drop Chute Cylinder	74
Electric Switches	75
Lights	76
Mixer Decals	77
Swing Arm	79
Rear Oil Bath & Doors	80
Chain Closure	81
Chain Closure Doors	83
Tub Guard	87

Harsh Mobile Mix Limited Warranty

Harsh International warrants each new Harsh Mobile Mix Feeder or Harsh Stationary Mixer to be free from defects in material and workmanship for a period of one year from date of delivery. This warranty does not extend to any claim arising from or occasioned by any misuse, neglect, improper installation, overloading, failure to properly operate and maintain, or introducing into the mixer materials uncommon to normal mixing. Further, the warranty does not extend to mixers or parts thereof which have been altered or repaired at places other than the Harsh factory, nor shall the warranty apply if any accessories other than Harsh accessories or those sold by Harsh have been affixed.

This warranty does not cover failures caused by:

- Improper operation
- Unauthorized modifications
- Unauthorized repairs
- Use of Non Harsh parts
- Neglected maintenance, including chain tensioner adjustment
- Usage contrary to the intended purpose of the equipment

This Warranty does not cover replacement of Wear and Maintenance items including, but not limited to:

- Lubricants
- Filters
- Hoses
- Tires
- Augers
- Chains
- Idlers
- Bearings
- Pumps
- Motors
- Sprockets

Harsh Mobile Mix Limited Warranty

Warranty Notice Required. In order to submit a claim of the limited warranty, written notice to Harsh must be given at its factory in Eaton, Colorado, 80615, within the one year warranty period. Within such written notice the buyer must submit a request for a Return Goods Authorization. Upon receipt of the Returned Goods Authorization, the buyer will return the material which is claimed to be defective to Harsh, F. O. B. its plant within 30 days after the buyer has received the Returned Goods Authorization. Thereafter, Harsh, at its election, shall either (A) repair, (B) replace, or (C) repay the price thereof.

Warranty Validation Certificate Required. The warranty provided herein shall not take effect until the application and registration form (Warranty Validation Certificate), which is provided at the time of purchase and installation is completed by the owner and returned to Harsh. Harsh does not transfer to any of its dealers, distributors, or agents the right to warranty on its behalf. If said dealer or distributor in performing a service or repair, returns to the Harsh factory on behalf of the buyer, such parts or mixer, the existence, validity, and applicability of the warranty regarding such part or mixer remains solely the prerogative of Harsh and not such dealer or distributor.

Limitation of Remedy. The remedies provided herein shall be the sole and exclusive remedies available to the buyer, its heirs, successors, and assigns. If such limitation is unenforceable, than notwithstanding anything herein to the contrary, the maximum damages for which Harsh may or shall be liable shall be the sales price for the part, component, or assembly claimed to be defective. Harsh shall not be liable for consequential damages including loss of profits, personal injury or death, property damages, or any other commercial loss arising out of any claimed failure or defect of the Harsh product.

Exclusive and Sole Warranty. The warranty provided herein is the sole and only warranty and there is no warranty of merchantability, fitness for a particular purpose, warranty arising from a course of dealing or usage of trade or any other implied or express warranty except made specifically provided herein.

Harsh does not assume responsibility for shipping or travel expenses and reserves the right to make improvements to any model without notice.

Harsh Mobile Mix Limited Warranty

IMPORTANT NOTICE

To enable us to better serve your needs, please fill out the following warranty information and return this page to Harsh International. This allows Harsh to transfer your information into our computer system. With this information we can bring up your records with all the current invoicing, serial numbers, or model numbers needed for future reference.

Thank You

Harsh International, Inc.
600 Oak Street
Eaton, Colorado 80615

Harsh Mobile Mix Limited Warranty

WARRANTY VALIDATION CERTIFICATE & DELIVERY CHECKLIST

In order to insure the unit is delivered to the customer in a fully operational condition please fill out the following inspection form and return it to Harsh International. This form must be returned to Harsh prior to processing any customer warranty claims.

Hydraulic System

- Oil Tank Level
- System Leaks
- Operation of System & Controls
- Engine Mount Pump

Drive System

- PTO Control Operation
- Bearings Lubricated
- Chains Lubricated
- Gearbox Levels
- Main Augers & Tub Clear of Obstruction

Discharge System

- Chains Adjusted
- Spout & Bearings Lubricated
- System Control Operational

- Safety Instructions have been read, demonstrated, and clearly understood.

Notes & Comments: _____

Owners Name: _____

Address: _____

City, State: _____

Zip Code: _____

Phone Number: _____

Delivery Date: _____ SERIAL NUMBER _____

The above items have been checked and performed per the instructions in the operators manual. The manual has been received and delivered to the owner.

Signed by Dealer/Representative

Signed by Customer

(Specifications Subject to Change Without Notice)

Parts Ordering Information

To assure continued safe and efficient operation and to maintain the validity of your warranty use only genuine Harsh replacement parts. To obtain the correct parts for your mixer, contact the nearest Harsh equipment dealer in your area. If no Harsh dealer is available, contact Harsh International Inc., 600 Oak Avenue, Eaton, CO 80615, (303) 454-2291.

When ordering parts, be sure to know the Model and Serial numbers of the machine. For the quickest service when ordering by phone, be prepared to state the part number and description as well as the Parts Manual part number, the page number and item number of the part(s) you are ordering.

Always have repairs performed by qualified Service Personnel from your Harsh dealer.

All information, illustrations and specifications contained in this manual are based on the latest product information available at the time of printing.

Harsh International, Inc. reserves the right to make changes to manuals, parts or assemblies at any time without prior notice.

REPLACEMENT MANUALS

Replacement or extra Operator's Manuals and Parts Manuals can be downloaded on our website www.harshenviro.com or contact your local dealer.

All Operator's Manual's and Parts Manuals are ordered by Model number and Serial number of your unit.

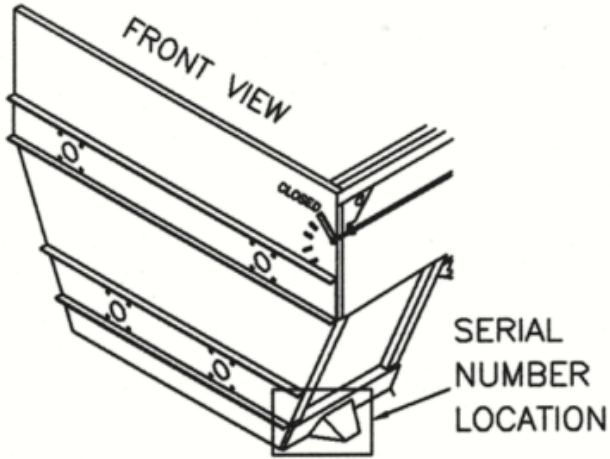
There is a nominal cost for each manual ordered.

!!!! IMPORTANT !!!!

Before attempting to operate, inspect, adjust, repair or replace any part of your machine be sure to be thoroughly familiar with your Operator's Manual and observe all safety notices; both printed in the manual and on decals located on the machine.

**FAILURE TO OBSERVE THESE SAFETY RULES COULD RESULT IN
SERIOUS INJURY AND/OR PROPERTY DAMAGE!**

Mixer Orientation



Serial Number Code

XX H X X XXX

MODEL
 20=203
 25=253
 30=303
 32=325
 37=375
 42=425
 40=405
 47=470
 54=540
 43=430
 50=502
 57=575
 63=630
 72=720
 81=810
 90=900

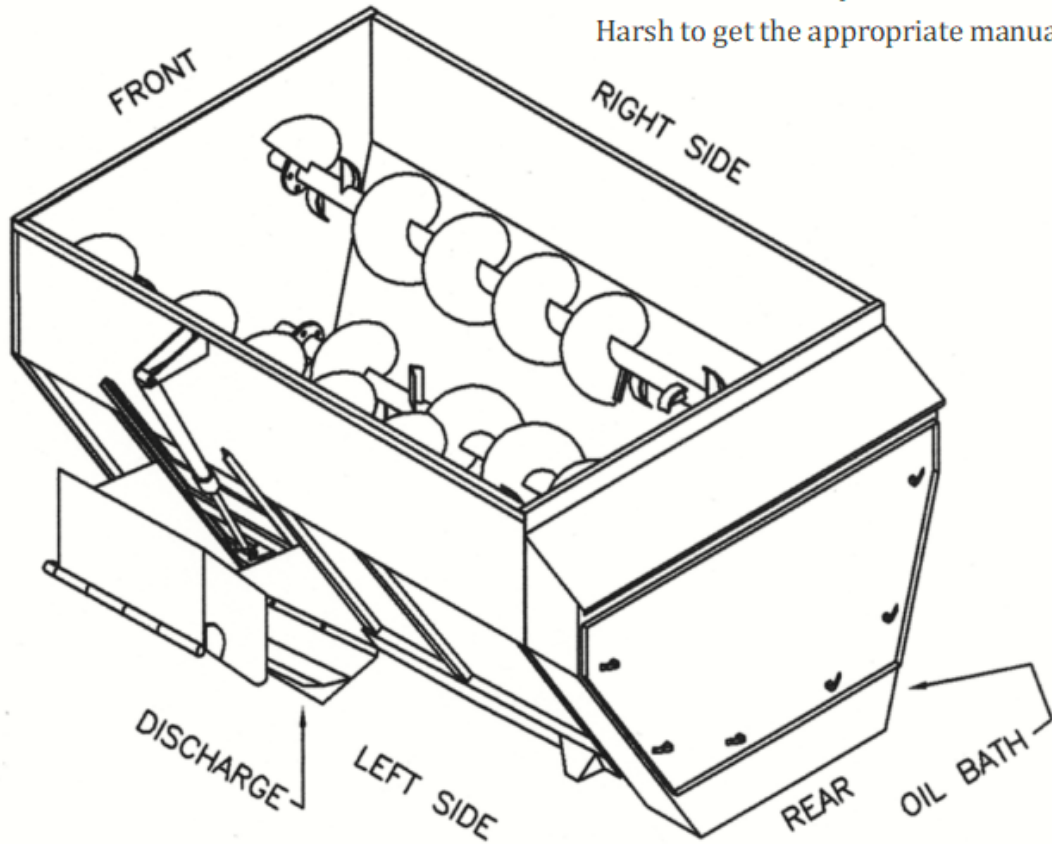
Mixer number

Year of decade

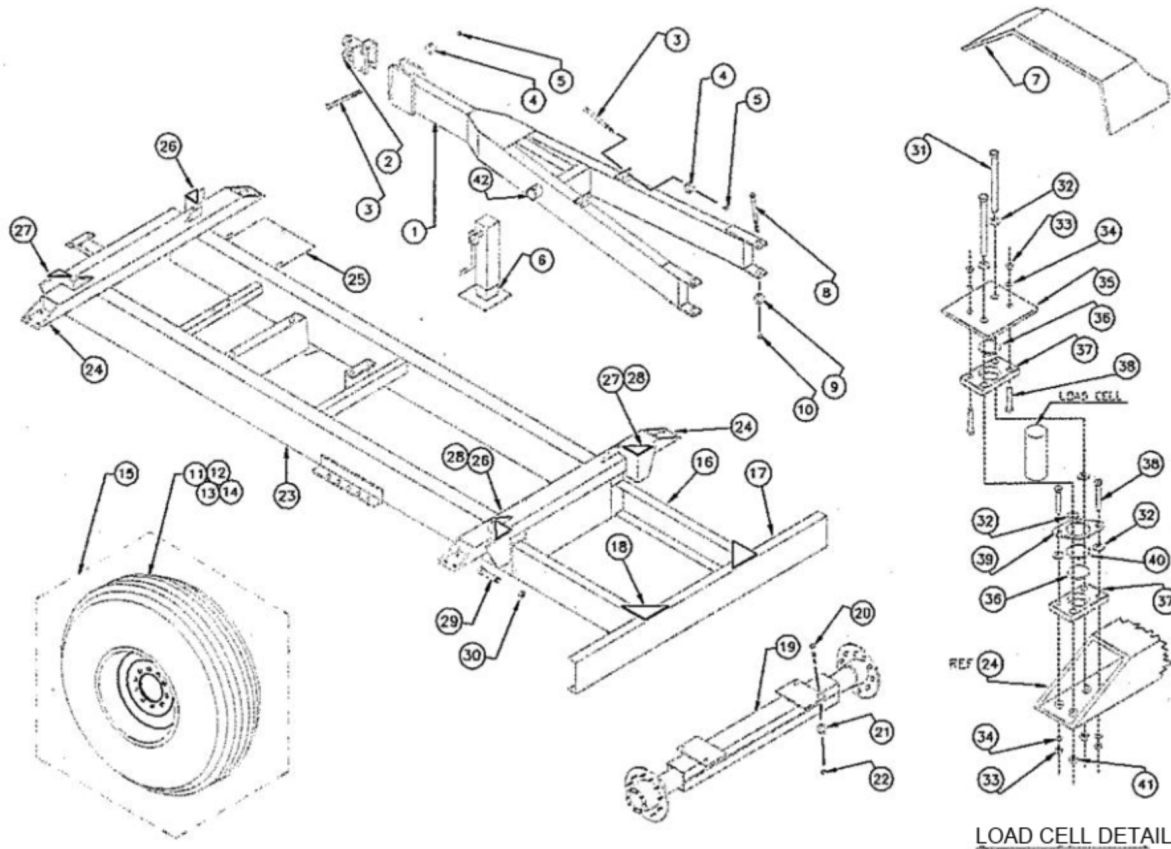
Decode
 A=1980's
 B=1990's
 C=2000's
 D=2010's
 E=2020's

Indicates smooth exterior sides

If the serial number of your mixer does not fall within the serial number breaks listed on the front cover, you will need to contact Harsh to get the appropriate manual



Trailer Frame (Load Cell)



TRAILER FRAME

ITEM PART # QTY DESCRIPTION

1	A16605	1	TONGUE
2	A16606	1	HITCH
3	101434	4	SCREW 6"
4	100554	4	LOCK WASHER
5	101446	4	NUT
6	102349	1	JACK
7	16602	2	FENDER
8	101878	2	SCREW
9	101879	2	LOCK WASHER
10	100355	2	NUT
*11	100666	2	TIRE, 16.5 x 22.5
*11	102590	2	TIRE, 44 x 16 AIRPLANE
*12	102261	2	TUBE, 15 x 22.5
*12	102591	2	TUBE, 44 x 16 AIRPLANE
*13	102363	2	RIM, 13.5 x 22.5 W/10 HOLES
*13	102592	2	RIM, 18 x 15 W/10 HOLES, AIRPLANE
14	102600	2	FLAP, AIRPLANE TIRE 18 x 12
*15	102588	2	TIRE, COMPLETE W/TUBE & RIM
*15	102583	2	TIRE, AIRPLANE COMP W/TUBE & RIM
16	16156	2	BUMPER EXTENSION
17	15429	1	BUMPER
18	16549	2	GUSSET PLATE
19	A15146	1	AXLE

ITEM PART # QTY DESCRIPTION

20	100322	4	SCREW
21	100361	4	LOCK WASHER
22	100744	4	NUT
23	~	1	FRAME ASSY (SPECIAL ORDER ONLY)
24	~	2	CROSS TUBE (SPECIAL ORDER ONLY)
25	A16547	1	BATTERY TRAY
*26	17466	2	STABILIZER PLATE, RIGHT
*27	17467	2	STABILIZER PLATE, LEFT
*28	17351	4	GUSSET PLATE
29	A17356	8	SCREW
30	100252	8	NUT
31	100580	8	SCREW
32	100663	24	FLAT WASHER
33	100248	16	NUT
34	100273	16	LOCK WASHER
35	16001	4	PEDESTAL BASE PLATE
36	102220	8	URETHANE SHOCK DISK
37	14898	8	CAGE PLATE, LOAD CELL
38	102249	16	SCREW
39	16109	4	LOAD CELL LOCK RING
40	100156	4	O-RING
41	101009	8	NUT
42	NSS	1	TUBE, JACK MOUNT

NOTE: FOR UNITS WITH SERIAL NUMBERS ABOVE (325HB3000, 375HB3000, 425HB3000), PLEASE REFER TO PAGE 11-12.

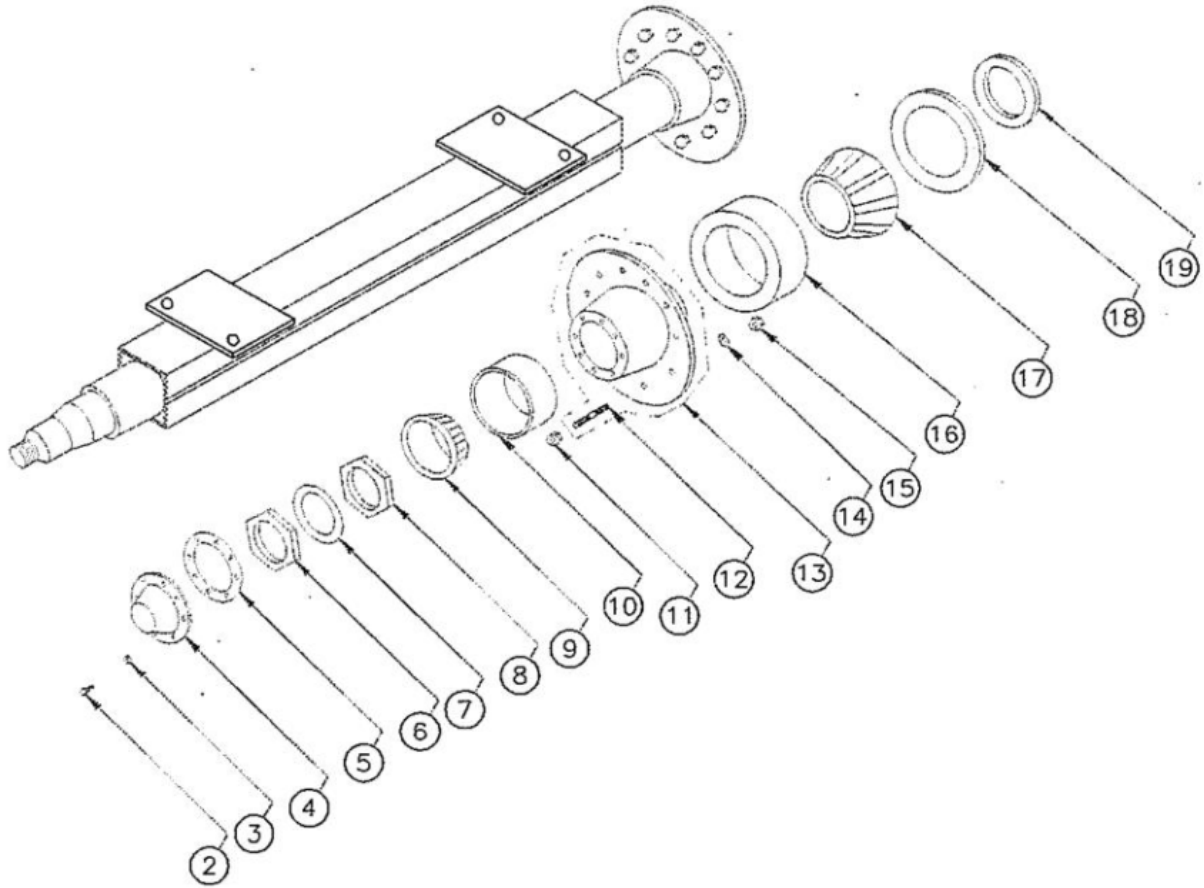
*11, *12, *13, *15 - ENSURE CORRECT SIZE BEFORE ORDERING

*26, *27, *28, - NOT AVAILABLE, SEE PAGE 12.

NSS - NOT SOLD SEPARATELY

Trailer Frame (Load Cell)

Trailer Axle Detail



TRAILER AXLE

ITEM	PART #	QTY	DESCRIPTION
**	A15146	1	AXLE, ASSEMBLY
2	102272	12	SCREW
3	102904	12	LOCK WASHER
4	102270	2	HUBCAP
5	102271	2	HUB GASKET
6	102268	2	SPINDLE NUT OUTSIDE
7	102269	2	SPINDLE WASHER
8	102267	2	SPINDLE NUT INSIDE
9	102265	2	BEARING CONE OUTSIDE
10	102266	2	BEARING CUP OUTSIDE
11	102276	10	WHEEL NUT LEFT HAND THREAD

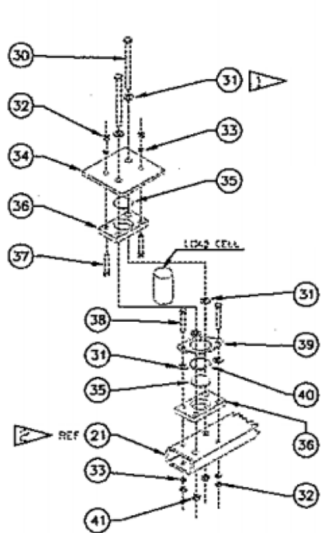
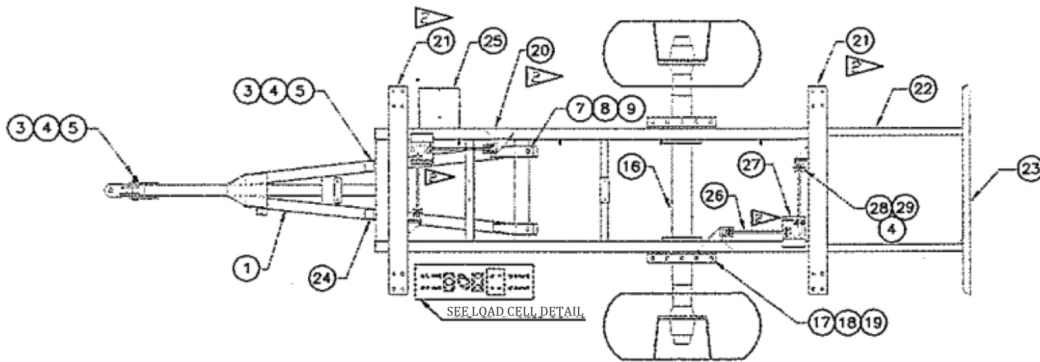
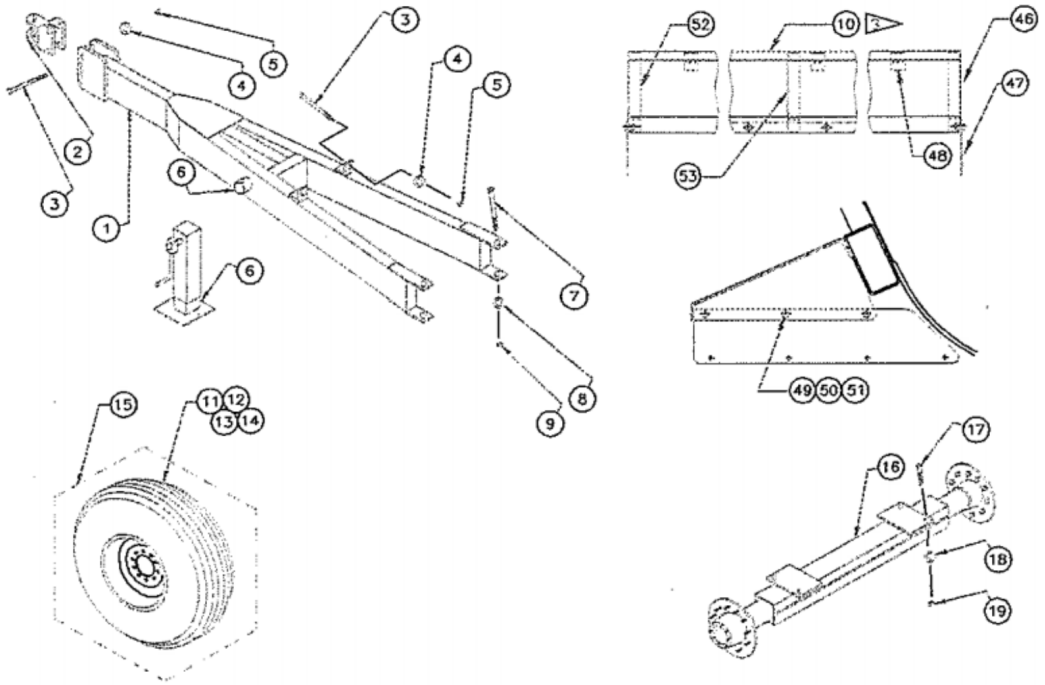
ITEM	PART #	QTY	DESCRIPTION
11	102275	10	WHEEL NUT RH THREAD
12	102271	10	WHEEL STUD LH THREAD
12	102273	10	WHEEL STUD RH THREAD
*13	102279	1	HUB LEFT SIDE
*13	102280	1	HUB RIGHT SIDE
14	102278	20	LOCK WASHER
15	102277	20	NUT
16	102264	2	BEARING CUP INSIDE
17	102263	2	BEARING CONE INSIDE
18	102262	2	SEAL, W/SEAL RING
19	NSS	2	SEAL RING

NOTE: *13 INCLUDES 10, 12, 14, 15, 16.

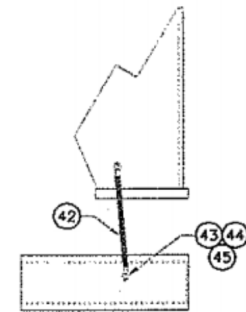
LEFT SIDE HUB USES LEFT HAND THREADS AND RIGHT SIDE HUB USES RIGHT HAND THREADS.

NSS - NOT SOLD SEPARATELY

Trailer Frame (Load Cell)



LOAD CELL DETAIL



GROUND STRAP DETAIL

- ▶ ADD WASHERS AS NEEDED TO ALLOW ADJUSTMENT OF NUT TO WITHIN 1/32 OF SCALE PLATE.
- ▶ USED ON ALL UNITS (S/N) (325HB4000, 375HB4000, 425HB4000) AND ABOVE. CHECK MIXER IF S/N IS BETWEEN (325HB3000, 375HB3000, 425HB3000) AND (325HB4000, 375HB4000, 425HB4000).
- ▶ **FOR UNITS BELOW (325HB3000, 375HB3000, 425HB3000), PLEASE SEE PAGE 8.**
- ▶ SEE NOTE ON PAGE 12.

Trailer Frame (Load Cell)

ITEM	PART #	QTY	DESCRIPTION	ITEM	PART #	QTY	DESCRIPTION
1	A16605	1	TONGUE	28	101413	8	SCREW
2	A16606	1	HITCH	29	100252	8	NUT
3	101434	4	SCREW 6"	30	102900	8	SCREW
4	100554	12	LOCK WASHER	31	100663	24	FLAT WASHER
5	101446	4	NUT	32	100248	16	NUT
6	102349	1	JACK	33	100273	16	LOCK WASHER
*6	NSS	1	JACK MOUNT TUBE	34	18485	4	PEDESTAL BASE PLATE
7	101878	2	SCREW	35	102220	8	URETHANE SHOCK DISC
8	101879	2	LOCK WASHER	36	14898	8	CAGE PLATE
9	100355	2	NUT	37	102249	8	SCREW
*10	NPN	2	SLOPED FENDER	38	102899	8	SCREW
*11	100666	2	TIRE, 16.5 x 22.5	39	16109	4	LOAD CELL LOCK
*11	102590	2	TIRE, 44 x 16 AIRPLANE	40	100156	4	O-RING
*12	102261	2	TUBE, 15 x 22.5	41	101009	8	NUT
*12	102591	2	TUBE, 44 x 16 AIRPLANE	42	A16362	1	GROUND STRAP
*13	102363	2	RIM, 13.5 x 22.5 W/10 HOLES	43	100323	2	SCREW
*13	102592	2	RIM, 18 x 15 W/10 HOLES, AIRPLANE	44	100304	2	LOCK WASHER
14	102600	2	FLAP, AIRPLANE TIRE 18 x 12	45	100221	2	NUT
*15	102588	2	TIRE, COMPLETE W/TUBE & RIM	*46	18932	2	FENDER CLOSURE (RIGHT)
*15	102583	2	TIRE, AIRPLANE COMP W/TUBE & RIM	*46	19022	2	FENDER CLOSURE (RIGHT)
16	A15146	1	AXLE	*47	18900	4	SHEET, MUD FLAP EXTENSION
17	100322	4	SCREW	*47	19024	4	SHEET, MUD FLAP EXTENSION
18	100361	4	LOCK WASHER	48	18902	6	FENDER KEEPER
19	100744	4	NUT	49	100276	12	SCREW
20	~	1	FRAME ASSY (SPECIAL ORDER ONLY)	50	100271	12	LOCK WASHER
21	~	2	CROSS TUBE (SPECIAL ORDER ONLY)	51	100254	12	NUT
22	16156	2	BUMPER EXTENSION	*52	18933	2	FENDER CLOSURE (LEFT)
23	15429	1	BUMPER, REAR	*52	19023	2	FENDER CLOSURE (LEFT)
24	15099	2	ANGLE, TONGUE MOUNT	*53	18933	2	FENDER CLOSURE (LEFT) - optional
25	A16547	1	BATTERY TRAY	*53	19023	2	FENDER CLOSURE (LEFT) - optional
26	A11879	4	STABILIZER BAR				
27	A17584	2	STABILIZER TUB MOUNT				

NOTE: *6 - WELD ON MOUNT SUPPLIED WITH JACK.

*10, *46 THRU *53 - USED ON ALL UNITS (325HB8000, 375HB8000, 425HB8000) AND ABOVE; CHECK MIXER IF S/N IS BETWEEN (325HB7000, 375HB7000, 425HB7000) AND (325HB8000, 375HB8000, 425HB8000); FOR UNITS BELOW S/N (325HB7000, 375HB7000, 425HB7000), PLEASE SEE PAGE 9. SPECIFY LENGTH AND FENDER WIDTH WHEN ORDERING.

*11, *12, *13, *14 - ENSURE CORRECT SIZE BEFORE ORDERING.

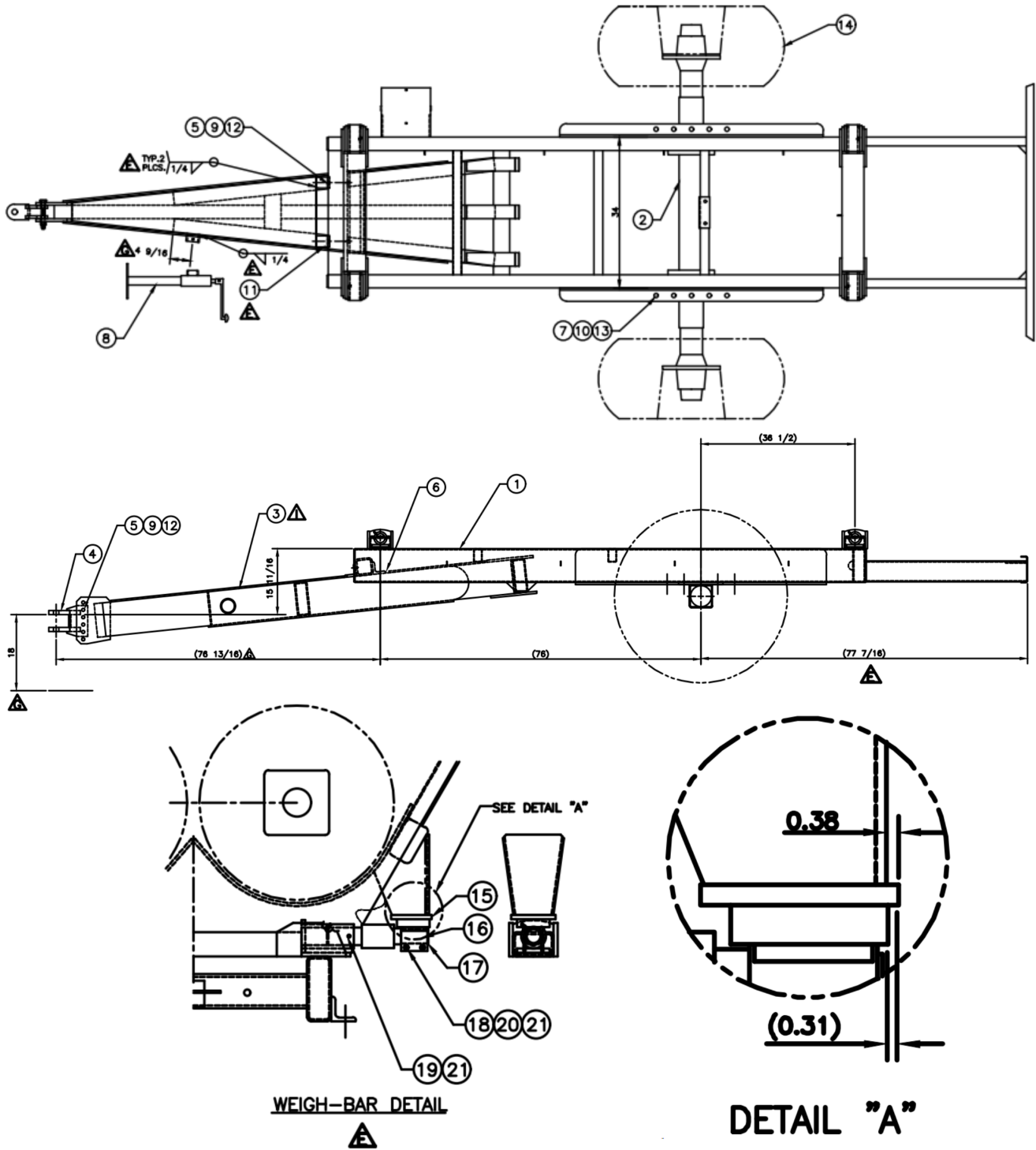
*46, *47, *52, *53 - SPECIFY FENDER WIDTH.

*46, *52 - CHECK MIXER. END CLOSURES ARE NOT REQUIRED FOR MOST UNITS ABOVE S/N (325HC0000, 375HC0000, 425HC0000). ITEM *53 REMAINS OPTIONAL AS A CENTER SUPPORT - SPECIFY FENDER WIDTH WHEN ORDERING.


NPN - NO PART NUMBER

NSS - NOT SOLD SEPARATELY

Trailer Frame (Weigh Bar)



Trailer Frame (Weigh Bar)

QTY	ITEM	PART NO	DESCRIPTION
12	21	101985	NUT, HX LOCK 3/8-16UNC
8	20	100271	WASHER, LOCK 3/8
4	19	100545	SCREW, HX HD CAP 3/8-16UNC x 3 1/2
8	18	102237	SCREW, HX HD CAP 3/8-16UNC x 3
4	17	A16614	SPACER ASSY WEIGH BAR TOP MNT
4	16	A15685	SCALE MNT WEIGH BAR ASSY
4	15	16626	PLATE, SCALE MNT PEDESTAL 5 X 7
2	14		TIRE & WHEEL
4	13	100744	NUT, HX 7/8-9UNC
4	12	101446	NUT, HX 3/4-10UNC
2	11	15099	ANGLE, TONGUE MOUNT 1/2 x 3 x 3 x 2 1/2
4	10	100361	WASHER, LOCK 7/8
4	9	100554	WASHER, LOCK 3/4
1	8	102235	JACK, HEAVY DUTY
4	7	100322	SCREW, HX HD CAP 7/8-9UNC x 3
1	6	20860	ANGLE, TRAILER TONGUE
4	5	101434	SCREW, HX HD CAP 3/4-10UNC x 6 GR.5
1	4	A16606	HITCH ASSY
1	3	A18317	TONGUE ASSY
1	2	A15146	AXLE ASSY
1	1	A16622	TRAILER FRAME ASS'Y 325,396 W/WEIGH-BAR
		A7069	TRAILER GROUP 325,396 WEIGH-BAR

NOTE:

The drawings and parts list for the Trailer Frame (Weigh Bar) shown are for a 325 trailer frame. The 375 and 425 trailer groups have longer frame assemblies. For more part information contact your Harsh International dealer or our front desk at (970) 454-2291.

Part Reference Numbers:

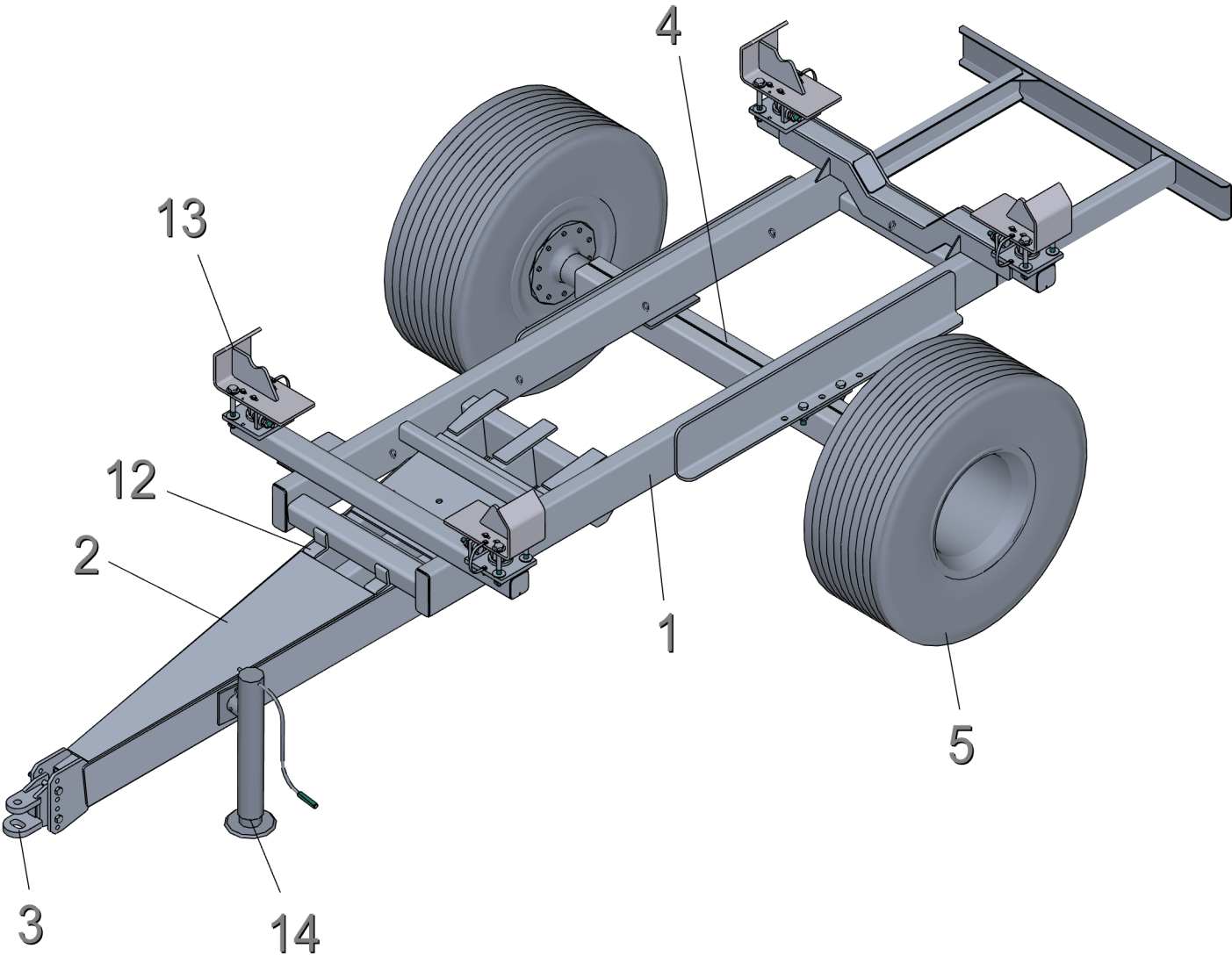
Trailer Group 325 Weight Bar - A7069

Trailer Group 375 Weight Bar - A7070

Trailer Group 425 Weight Bar - A7650

Trailer Frame (Load Cell)

Updated Load Cell Pedestal



Trailer Frame (Load Cell)

Updated Load Cell Pedestal

#	Part Number	Title	Quantity
1	A24294	TRAILER FRAME ASSY 325H LOAD CELL - NEW	1
2	A18317	TRAILER TONGUE ASSY	1
3	A16606	HITCH ASSY, TRAILER	1
4	A15146	AXLE MOUNTING ASSY, 77-1/2 TRACK	1
5	A102588	TIRE, COMP 16 X 22.5 W/ 10 HOLE	2
6	100322	SCREW, HEX HD CAP 7/8 -9 UNC X 3	4
7	100361	WASHER, LOCK 7/8	4
8	100744	NUT, HEX 7/8 -9 GR.5	4
9	101434	SCREW, HX HD CAP 3/4-10 UNC X 6 GR5	2
10	100554	WASHER LOCK, 3/4"	2
11	100658	NUT, HEX 3/4-10 UNC GR5	2
12	15099	ANGLE, TONGUE MOUNT 1/2 X 3 X 3 X 2 1/2	2
13	A8495	PEDESTAL ASSY (325, 375, 425)	4
14	102349	JACK, HEAVY DUTY W/ LOWERED MOUNT	1

NOTE:

The drawings and parts list for the Trailer Frame (Load Cell) shown are for a 325 trailer frame. The 375 and 425 trailer groups have longer frame assemblies. For more part information contact your Harsh International dealer or our front desk at (970) 454-2291.

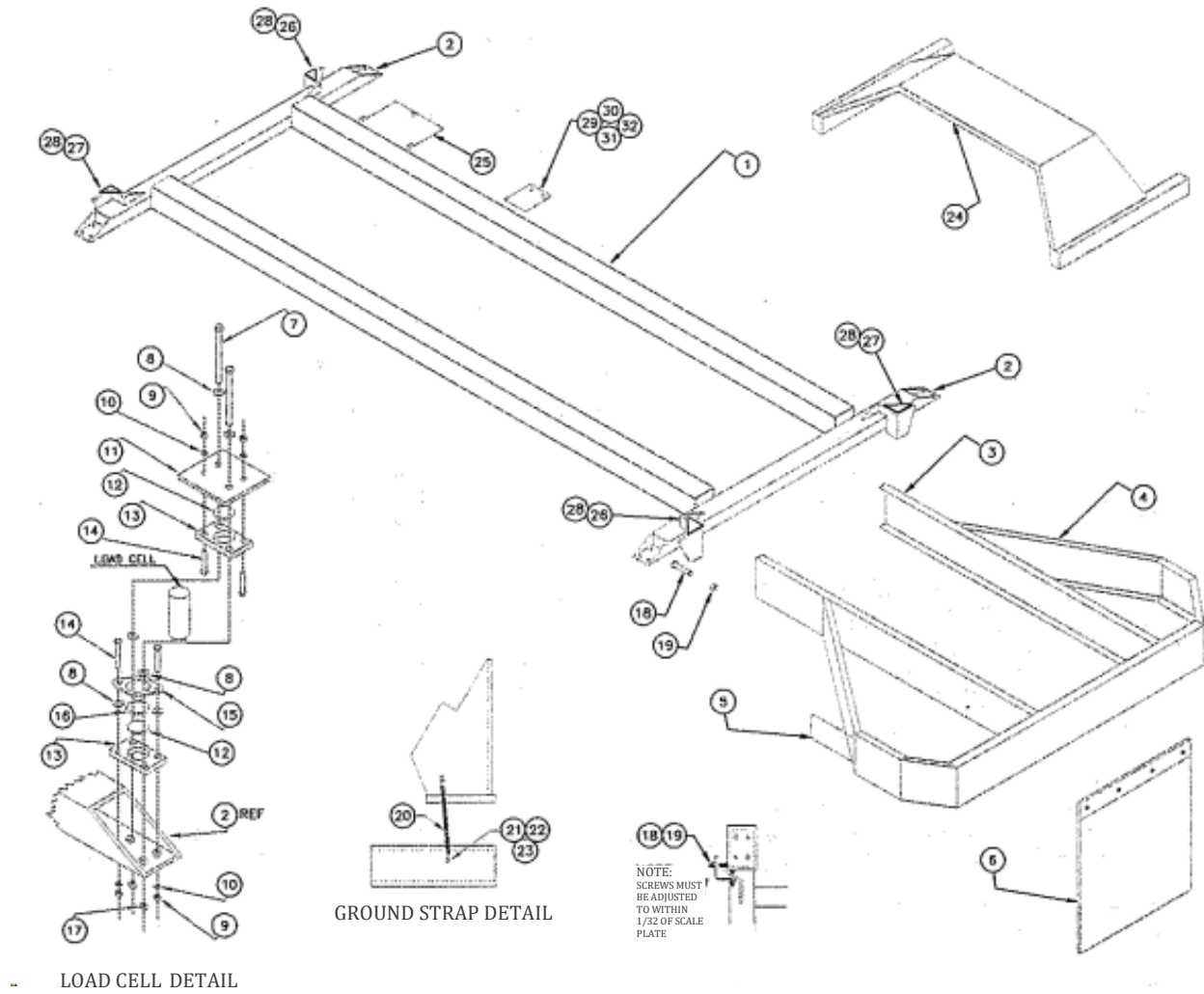
Part Reference Numbers:

Trailer Group 325 Load Cell - A8503

Trailer Group 375 Load Cell - A8501

Trailer Group 425 Load Cell - A8499

Sub Frame Truck



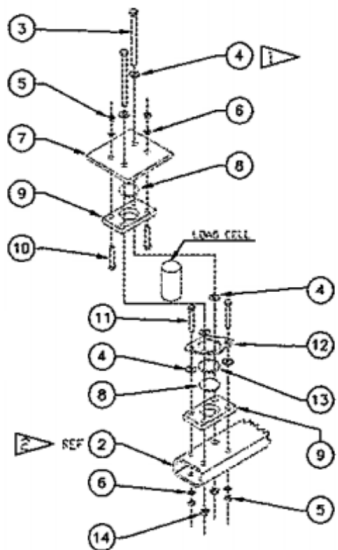
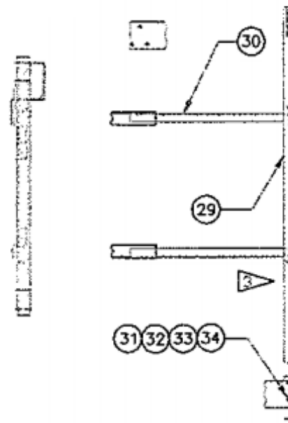
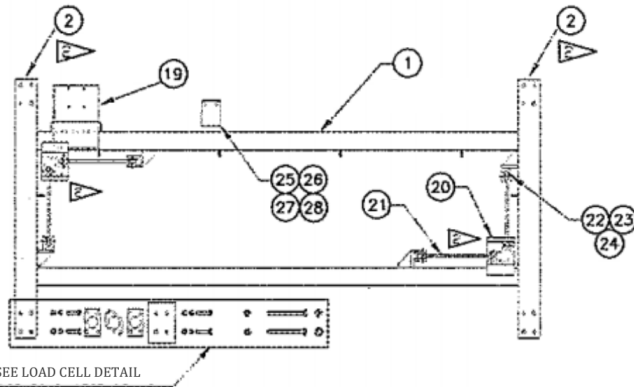
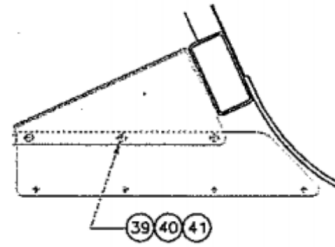
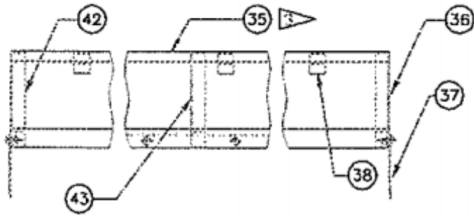
SUB FRAME TRUCK

ITEM	PART #	QTY	DESCRIPTION	ITEM	PART #	QTY	DESCRIPTION
1	~	1	SUB FRAME (SPECIAL ORDER ONLY)	17	101009	8	NUT
2	~	2	CROSS TUBE (SPECIAL ORDER ONLY)	18	A17356	8	SCREW
3	15063	2	CHANNEL, BUMPER EXTENSION	19	100252	8	NUT
4	A16259	1	BUMPER ASSEMBLY	20	A16362	1	GROUND STRAP
5	16353	1	STEP	21	100323	2	SCREW
6	100312	2	MUD FLAPS	22	100304	2	LOCK WASHER
7	100580	8	SCREW	23	100221	2	NUT
8	100663	24	FLAT WASHER	24	A18008	2	FENDER, TRUCK
9	100248	16	NUT	25	A18267	1	MOUNT ASSY, ELEC. HYD. PUMP
10	100273	16	LOCK WASHER	*26	17466	2	STABILIZER PLATE, RIGHT
11	16001	4	PEDESTAL BASE PLATE	*27	17467	2	STABILIZER PLATE, LEFT
12	102220	8	URETHANE SHOCK DISK	*28	17351	4	GUSSET PLATE
13	14898	8	CAGE PLATE, LOAD CELL	29	15629	6	STRAP, SUB-FRAME MOUNT
14	102249	16	SCREW	30	300904	12	SCREW
15	16109	4	LOAD CELL LOCK RING	31	100272	12	LOCK WASHER
16	100156	4	O-RING	32	300826	12	NUT

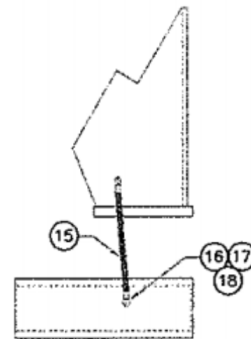
NOTE: FOR UNITS WITH SERIAL NUMBERS ABOVE (325HB3000, 375HB3000, 425HB3000), PLEASE REFER TO PAGE 18-19.

*26, *27, *28 - NOT AVAILABLE, SEE PAGE 19.

Sub Frame Truck (Load Cell)



LOAD CELL DETAIL



GROUND STRAP DETAIL

- ▶ ADD WASHERS AS NEEDED TO ALLOW ADJUSTMENT OF NUT TO WITHIN 1/32 OF SCALE PLATE.
- ▶ USED ON ALL UNITS (S/N) (325HB4000, 375HB4000, 425HB4000) AND ABOVE. CHECK MIXER IF S/N IS BETWEEN (325HB3000, 375HB3000, 425HB3000) AND (325HB4000, 375HB4000, 425HB4000).
- ▶ **FOR UNITS BELOW (325HB3000, 375HB3000, 425HB3000), PLEASE SEE PAGE 17.**
- ▶ SEE NOTE ON PAGE 19.

Sub Frame Truck (Load Cell)

ITEM	PART #	QTY	DESCRIPTION	ITEM	PART #	QTY	DESCRIPTION
1	-	1	SUB FRAME (SPECIAL ORDER ONLY)	25	15629	6	STRAP, SUB-FRAME MOUNT
2	-	2	CROSS TUBE (SPECIAL ORDER ONLY)	26	300826	12	NUT
3	102900	8	SCREW	27	100272	12	LOCKWASHER
4	100663	24	FLAT WASHER	28	300904	12	SCREW
5	100248	16	NUT	*29	18972	1	BUMPER, TRUCK
6	100273	16	LOCKWASER	30	A18973	2	BUMPER EXTENSION
7	18485	4	PEDESTAL BASE PLATE	31	101444	10	SCREW
8	102220	8	URETHANE SHOCK DISK	32	100338	10	FLAT WASHER
9	14898	8	CAGE PLATE	33	100272	10	LOCKWASHER
10	102249	8	SCREW	34	300826	10	NUT
11	102899	8	SCREW	*35	NPN	2	SLOPED FENDER
12	16109	4	LOAD CELL LOCK	*36	18932	2	FENDER CLOSURE (RIGHT)
13	100156	4	O-RING	*36	19022	2	FENDER CLOSURE (RIGHT)
14	101009	8	NUT	*37	18900	4	SHEET, MUD FLAP EXTENSION
15	A16362	1	GROUND STRAP	*37	19024	4	SHEET, MUD FLAP EXTENSION
16	100323	2	SCREW	38	18902	6	FENDER KEEPER
17	100304	2	LOCK WASHER	39	100276	12	SCREW
18	100221	2	NUT	40	100271	12	WASHER
19	A18267	1	MOUNT ASSY, ELEC. HYD. PUMP	41	100254	12	NUT
20	A17584	2	STABILIZER TUB MOUNT	*42	18933	2	FENDER CLOSURE (LEFT)
21	A11879	4	STABILIZER BAR	*42	19023	2	FENDER CLOSURE (LEFT)
22	101413	8	SCREW	*43	18933	2	FENDER CLOSURE (LEFT) - optional
23	100554	8	LOCK WASHER	*43	19023	2	FENDER CLOSURE (LEFT) - optional
24	100252	8	NUT				

NOTE: *29(30-34), *35(36-43) - USED ON ALL UNITS (325HB8000, 375HB8000, 425HB8000) AND ABOVE; CHECK MIXER IF S/N IS BETWEEN (325HB7000, 375HB7000, 425HB7000) AND (325HB8000, 375HB8000, 425HB8000); FOR UNITS BELOW S/N (325H7000, 375HB7000, 425HB7000) PLEASE SEE PAGE 17.

*35 - SPECIFY LENGTH WHEN ORDERING

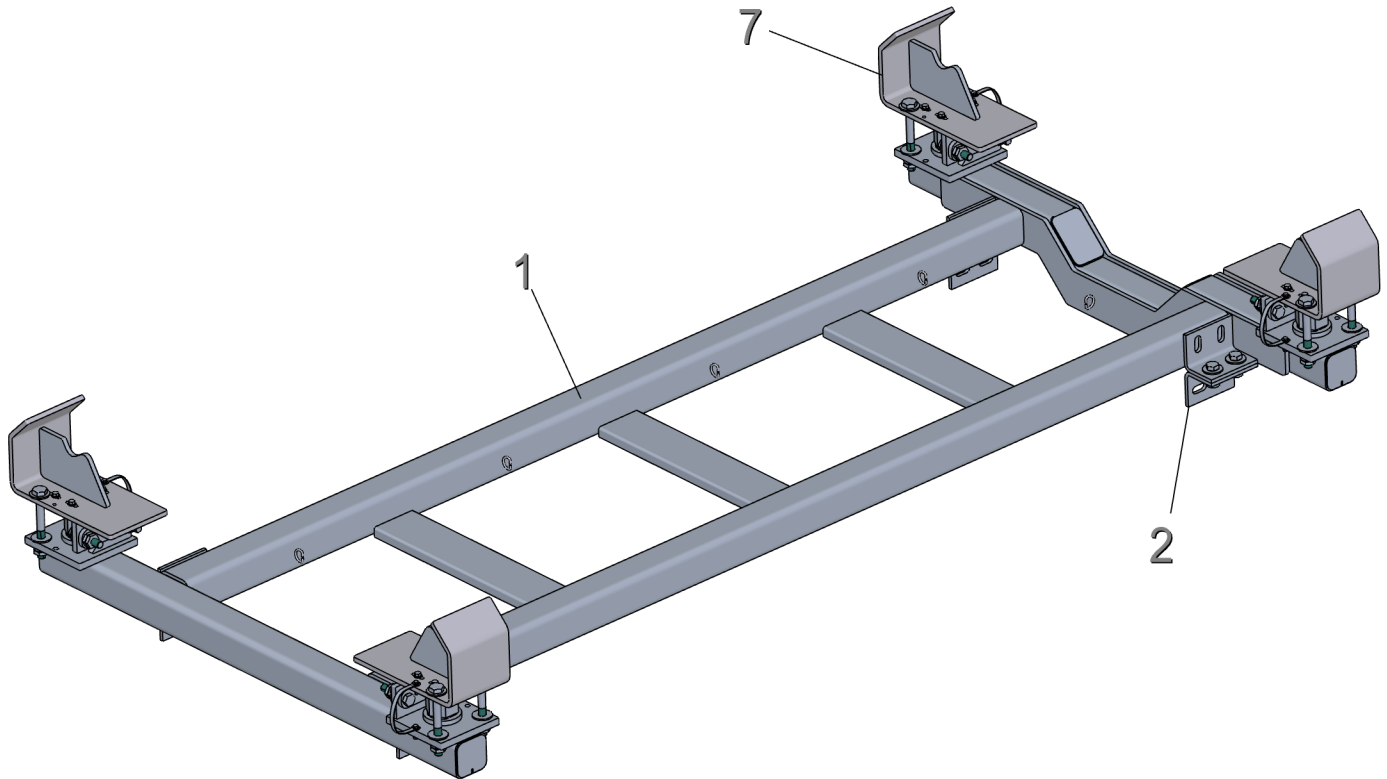
*36, *37, *42, *43 - SPECIFY FENDER WIDTH.

*36, *42 - CHECK MIXER. END CLOSURES ARE NOT REQUIRED FOR MOST UNITS ABOVE (325HC0000, 375HC0000, 425HC0000), ITEM *43 REMAINS OPTIONAL AS A CENTER SUPPORT - SPECIFY FENDER WIDTH WHEN ORDERING.

NPN - NO PART NUMBER

Sub Frame Truck 325 (Load Cell)

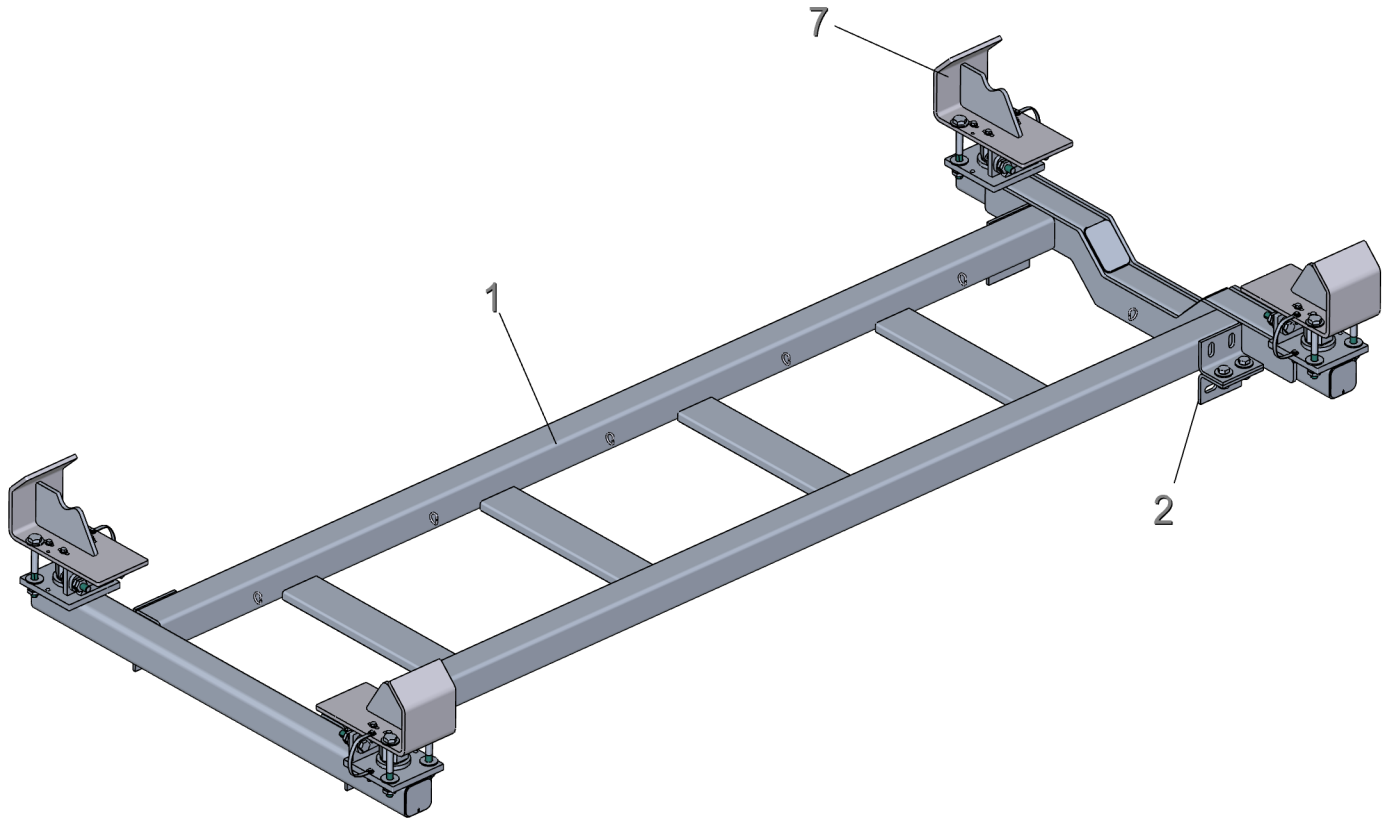
Sub-Frame Group, 325 (Load Cell) - New: A8498



#	Part Number	Title	Quantity
1	A24286	SUB-FRAME ASS'Y, 325 LOAD CELL - NEW	1
2	19207	SIDE MOUNT PLATE	4
3	100556	WASHER, 3/4 FLAT	16
4	100554	WASHER LOCK, 3/4"	8
5	100252	NUT, HEX 3/4-16 UNF	8
6	100824	SCREW, HX HD CAP 3/4-16 UNF X 2 GR5	8
7	A8495	PEDESTAL ASSY (325, 375, 425)	4

Sub Frame Truck 375 (Load Cell)

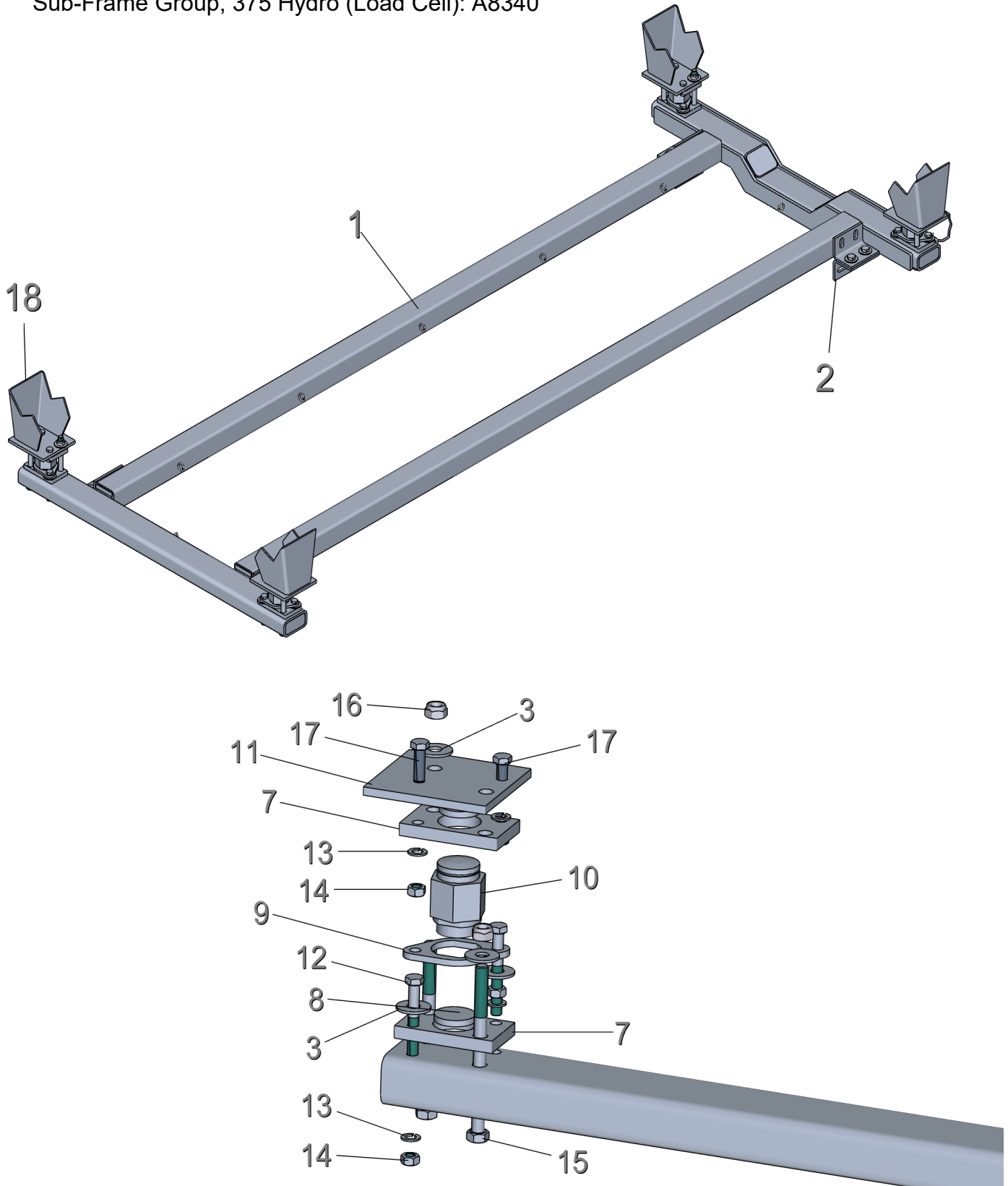
Sub-Frame Group, 375 (Load Cell) - New: A8497



#	Part Number	Title	Quantity
1	A24284	SUB-FRAME ASS'Y, 375 LOAD CELL - NEW	1
2	19207	SIDE MOUNT PLATE	4
3	100556	WASHER, 3/4 FLAT	16
4	100824	SCREW, HX HD CAP 3/4-16 UNF X 2 GR5	8
5	100554	WASHER LOCK, 3/4"	8
6	100252	NUT, HEX 3/4-16 UNF	8
7	A8495	PEDESTAL ASSY (325, 375, 425)	4

Sub Frame Truck 375 Hydro (Load Cell)

Sub-Frame Group, 375 Hydro (Load Cell): A8340



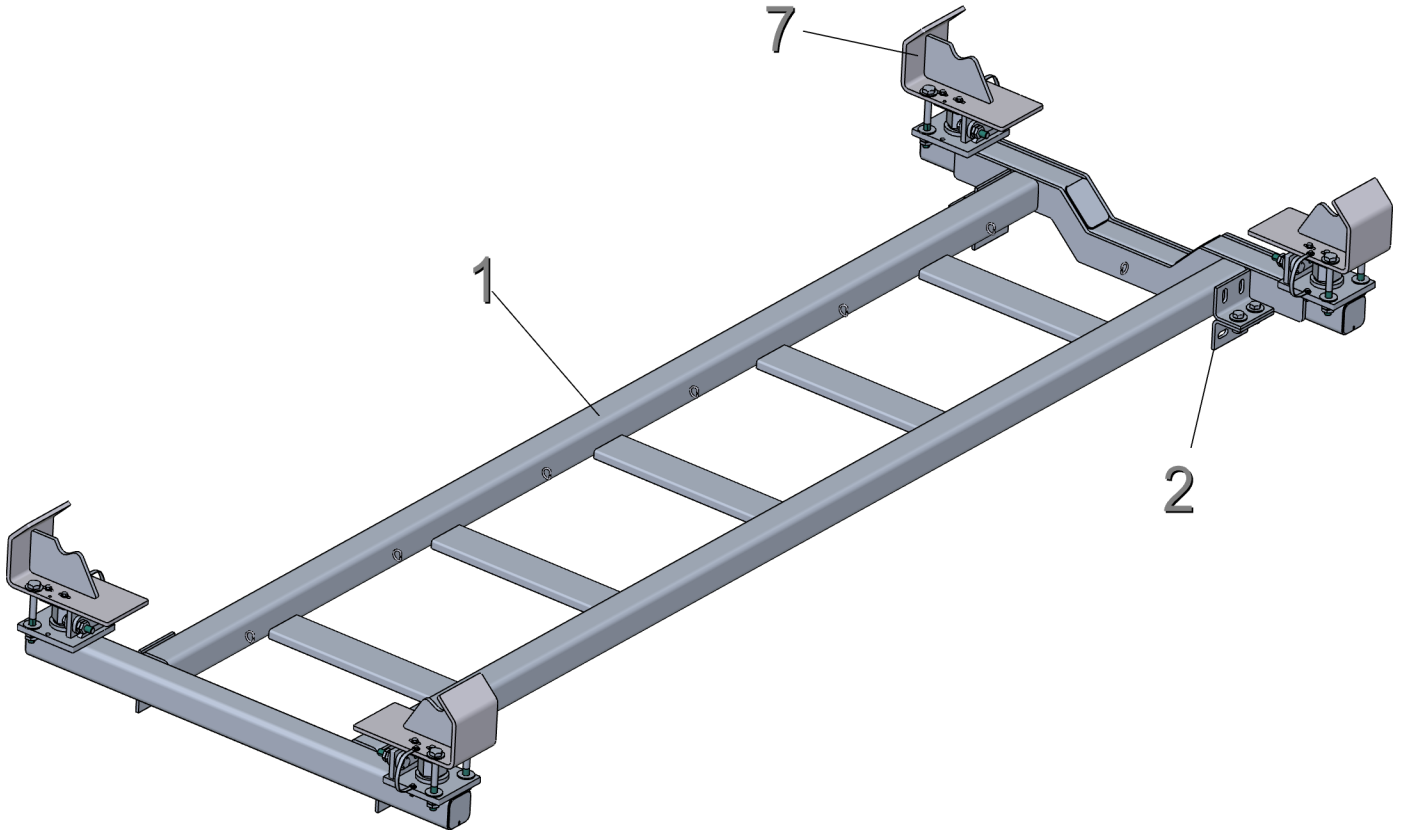
Sub Frame Truck 375 Hydro (Load Cell)

Sub-Frame Group, 375 Hydro (Load Cell): A8340

#	Part Number	Title	Quantity
1	A22561	SUB-FRAME ASS'Y, 375 HYDRO	1
2	19207	SIDE MOUNT PLATE	4
3	100556	WASHER, 3/4 FLAT	32
4	100824	SCREW, HX HD CAP 3/4-16 UNF X 2 GR5	8
5	100554	WASHER LOCK, 3/4"	8
6	100252	NUT, HEX 3/4-16 UNF	8
7	14898	PLATE, LOAD CELL CAGE	8
8	102220	URETHANE SHOCK DISK	8
9	16109	PLATE, LOAD CELL LOCK	4
10	101621N	LOAD CELL	4
11	18485	PLATE, PEDESTAL BASE 300'S	4
12	100790	SCREW, HX HD CAP 5/8-18 X 5 GR5	8
13	100273	WASHER, LOCK, 5/8	16
14	100248	NUT, HEX 5/8-18 UNF	16
15	102900	SCREW, HX HD CAP 3/4-10 X 10 GR2	8
16	101009	NUT, HEX 3/4-10 UNC 2-WAY LOCKING	8
17	100320	SCREW, HX HD CAP 5/8-18 UNF X 2 GR 5	8
18	20484	PLATE, FORMED PEDESTAL 300 LOAD CELL	4
19	100323	SCREW, HEX HEAD CAP 1/4-20 X 1.00 GR5	2
20	A16362	GROUND STRAP	1
21	100304	WASHER, LOCK 1/4 CADMIUM PLATED	2
22	100221	NUT, HEX, 1/4-20 UNC GR 5	2

Sub Frame Truck 425 (Load Cell)

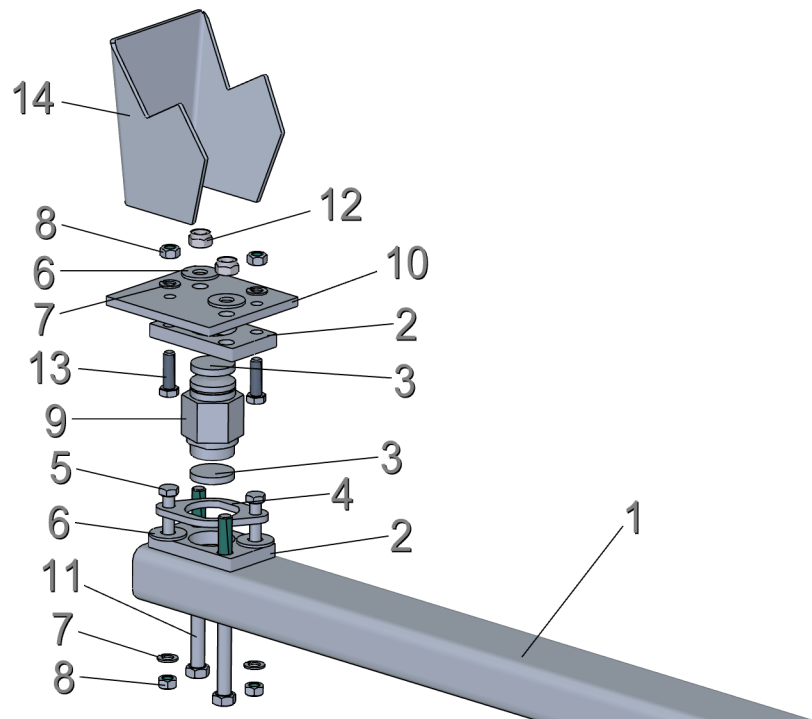
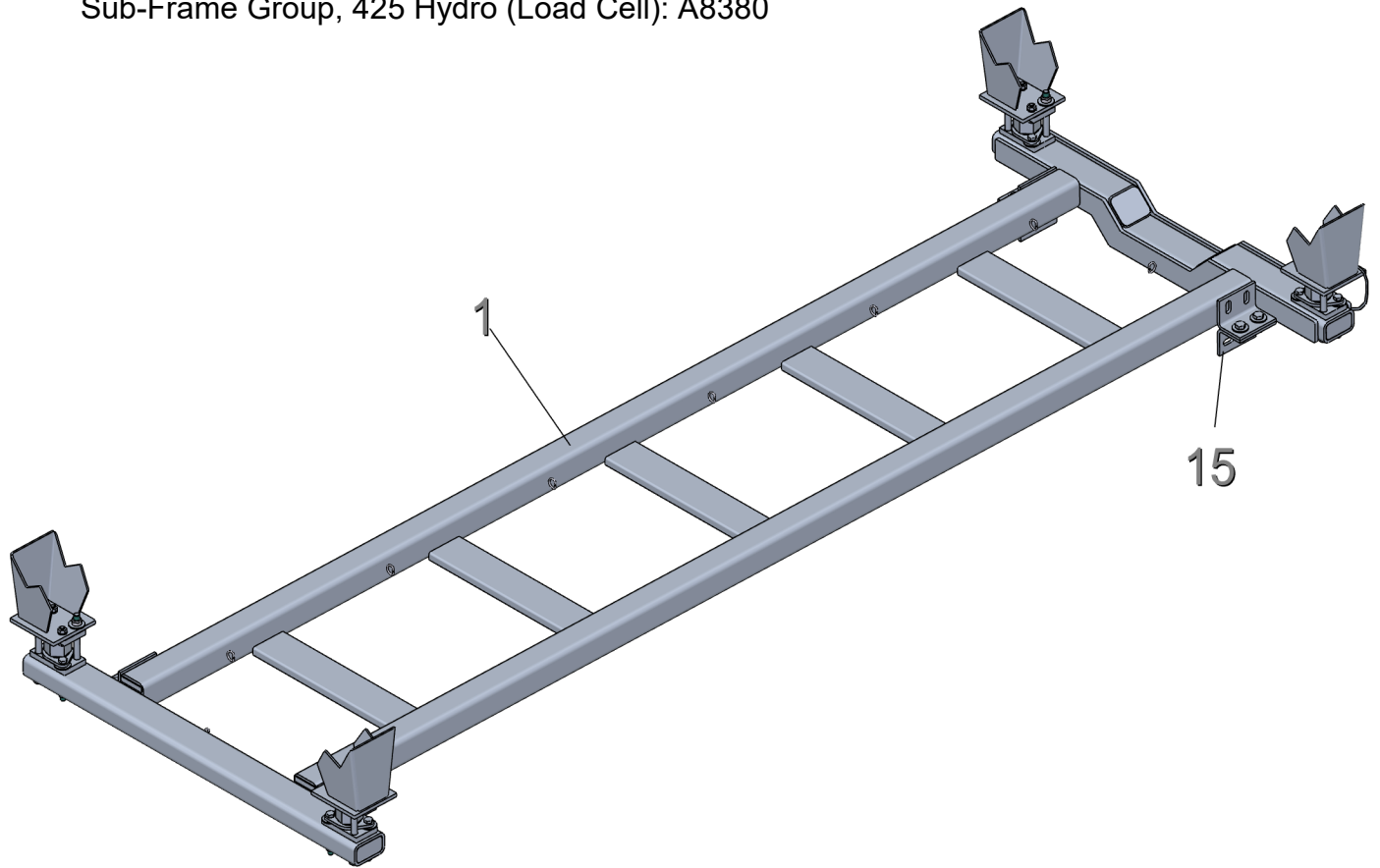
Sub-Frame Group, 425 (Load Cell) - New: A8496



#	Part Number	Title	Quantity
1	A24277	SUB-FRAME ASS'Y, 425 LOAD CELL - NEW	1
2	19207	SIDE MOUNT PLATE	4
3	100556	WASHER, 3/4 FLAT	16
4	100824	SCREW, HX HD CAP 3/4-16 UNF X 2 GR5	8
5	100554	WASHER LOCK, 3/4"	8
6	100252	NUT, HEX 3/4-16 UNF	8
7	A8495	PEDESTAL ASSY (325, 375, 425)	4

Sub Frame Truck 425 Hydro (Load Cell)

Sub-Frame Group, 425 Hydro (Load Cell): A8380

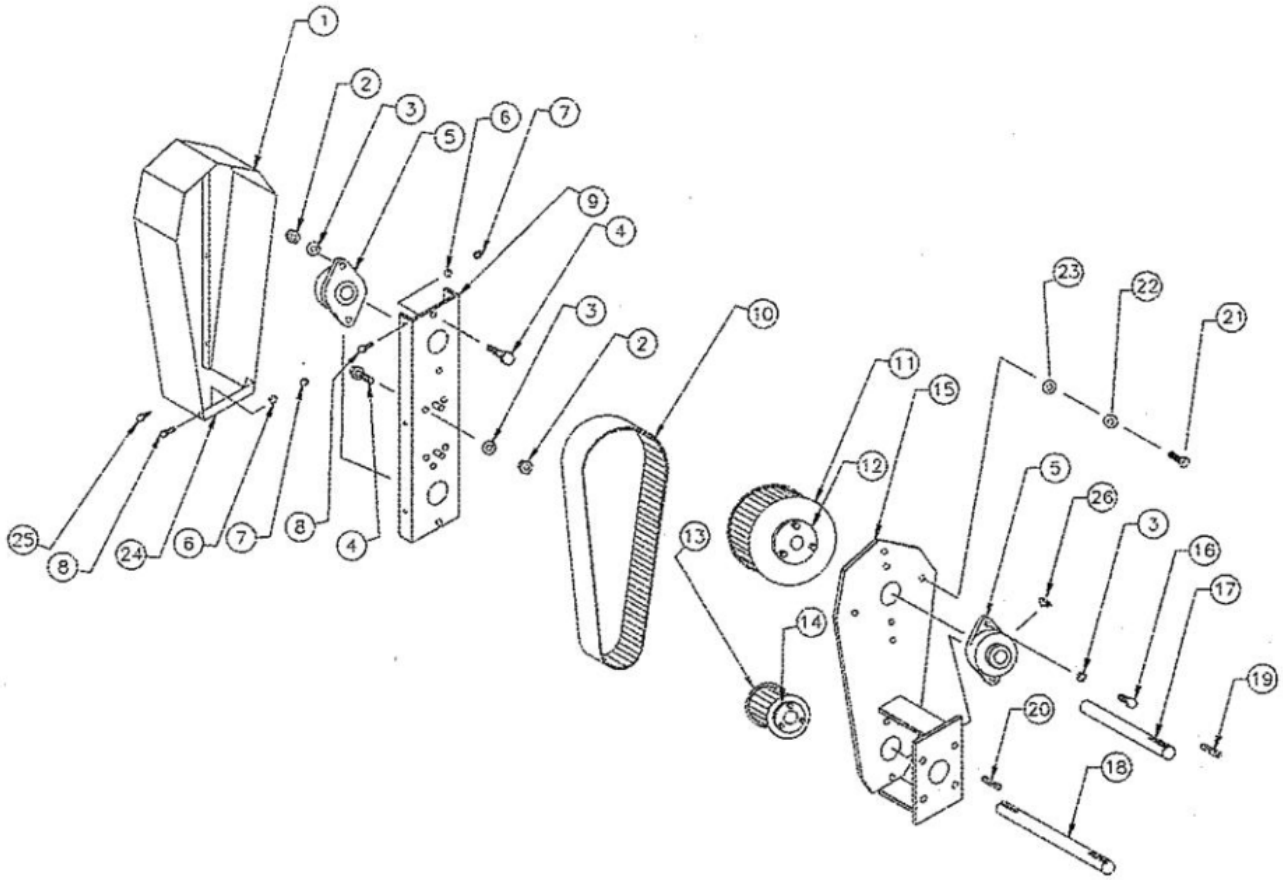


Sub Frame Truck 425 Hydro (Load Cell)

Sub-Frame Group, 425 Hydro (Load Cell): A8380

#	Part Number	Title	Quantity
1	A23166	SUB-FRAME ASS'Y, 425 LOAD CELL HYDRO	1
2	14898	PLATE, LOAD CELL CAGE	8
3	102220	URETHANE SHOCK DISK	8
4	16109	PLATE, LOAD CELL LOCK	4
5	102899	SCREW, HX HD CAP 5/8-18 UNF X 5 1/2	8
6	100556	WASHER, 3/4 FLAT	32
7	100273	WASHER, LOCK, 5/8	16
8	100248	NUT, HEX 5/8-18 UNF	16
9	101621N	LOAD CELL	4
10	18485	PLATE, PEDESTAL BASE 300'S	4
11	102900	SCREW, HX HD CAP 3/4-10 X 10 GR2	8
12	101009	NUT, HEX 3/4-10 UNC 2-WAY LOCKING	8
13	100320	SCREW, HX HD CAP 5/8-18 UNF X 2 GR 5	8
14	20484	PLATE, FORMED PEDESTAL 300 LOAD CELL	4
15	19207	SIDE MOUNT PLATE	4
16	101819	SCREW, HX HD CAP 1/4-20 UNC X 3/4	2
17	100304	WASHER, LOCK 1/4 CADMIUM PLATED	2
18	100824	SCREW, HX HD CAP 3/4-16 UNF X 2 GR5	8
19	100554	WASHER LOCK, 3/4"	8
20	100252	NUT, HEX 3/4-16 UNF	8
21	A16362	GROUND STRAP	1
22	100221	NUT, HEX, 1/4-20 UNC GR 5	2

GTD



GTD

ITEM PART # QTY DESCRIPTION

	A9678	1	GTD ASSY (16")
	A9677	1	GTD ASSY (19 1/4")
	A9676	1	GTD ASSY (22 3/4")
1	A15045	1	COVER ASSEMBLY (16" GTD)
1	A15588	1	COVER ASSEMBLY (19 1/4" GTD)
1	A17151	1	COVER ASSEMBLY (22 3/4" GTD)
2	300826	4	NUT
3	100272	14	LOCK WASHER
4	101444	4	SCREW
5	302071	4	BEARING
6	100304	8	LOCK WASHER (16" GTD)
6	100304	10	LOCK WASHER (19 1/4" GTD)
6	100304	12	LOCK WASHER (22 3/4" GTD)
7	100221	8	NUT (16" GTD)
7	100221	10	NUT (19 1/4" GTD)
7	100221	12	NUT (22 3/4" GTD)
8	101819	8	SCREW (16" GTD)
8	101819	10	SCREW (19 1/4" GTD)
8	101819	12	SCREW (22 3/4" GTD)
9	15042	1	CHANNEL, FORMED (16" GTD)
9	15802	1	CHANNEL, FORMED (19 1/4" GTD)
9	17138	1	CHANNEL, FORMED (22 3/4" GTD)

ITEM PART # QTY DESCRIPTION

*10	102021	1	POLY CHAIN, (16" GTD)
*10	102018	1	POLY CHAIN, (19 1/4" GTD)
*10	102520	1	POLY CHAIN, (22 3/4" GTD)
*11	102020	1	SPROCKET
*12	101734	1	BUSHING
*13	102019	1	SPROCKET
*14	101730	1	BUSHING
15	A17494	1	BACK ASSY (16")
15	A17535	1	BACKASS'Y (19 1/4")
15	A17537	1	BACK ASS'Y (22 3/4")
16	101817	4	SCREW
*17	14682	1	SHAFT, TOP
*18	14679	1	SHAFT, BOTTOM
*19	14717	1	KEY
*20	34890	1	KEY
21	102853	4	SCREW
22	100272	4	LOCK WASHER
23	100838	4	FLAT WASHER
24	16343	1	COVER TIGHTENER (16" GTD)
24	16471	1	COVER TIGHTENER (19 1/4" & 22 3/4" GTD)
25	102631	2	SCREW, HX HD SHT METAL
26	102753	2	GREASE FITTING

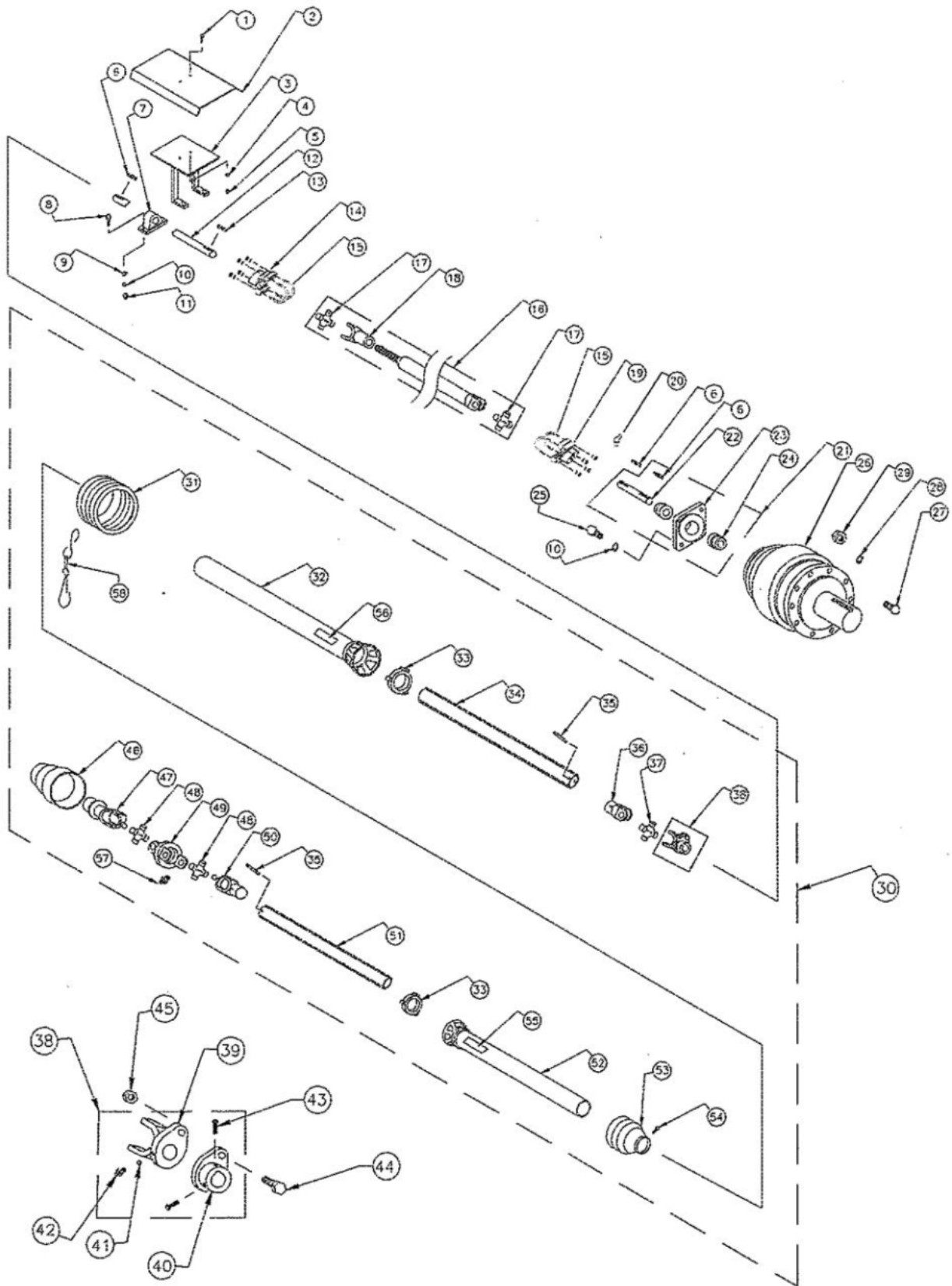
NOTE: THE BELT WIDTH IS 1 1/2 INCHES.

THE GTD IS MEASURED CENTER TO CENTER OF TOP AND BOTTOM SHAFTS.

*13, *14, *18 & *20 CAN BE ORDERED AS A17155 SPROCKET ASSEMBLY.

*11, *12, *17, *19 CAN BE ORDERED AS A17154 SPROCKET ASSEMBLY.

Drive Line Trailer



Drive Line Trailer

ITEM	PART #	QTY	DESCRIPTION	ITEM	PART #	QTY	DESCRIPTION
1	101134	2	SCREW	15	100882	2	U-BOLTKIT
2	16610	1	DRIVE LINE SHIELD	16	102555	1	DRIVE SHAFT
3	A15694	1	SHIELD MOUNT	17	100785	2	CROSS
4	100170	2	LOCK WASHER	18	NPN	1	YOKE - SPICER # 2-3-8001 kx
5	100297	2	NUT	19	100598	1	YOKE, BOLTON
6	10983	3	KEY	20	102366	1	GREASE ZERK, 45°
7	101435	3	BEARING	21	A15707	1	INPUT ADAPTER ASSY
8	102483	2	SCREW	22	15167	1	INPUT ADAPTER SHAFT
8	102482	4	SCREW	23	A15170	1	INPUT ADAPTER
9	100838	6	FLAT WASHER	24	101827	2	BEARING
10	100272	10	LOCK WASHER	25	101444	4	SCREW
11	300826	6	NUT	26	102104	1	GEAR BOX PLANETARY 12.25:1
*12	NPN	1	DRIVE SHAFT - specify model	27	102154	12	SCREW
13	16339	1	KEY	28	101323	12	LOCK WASHER
14	100724	1	YOKE, BOLTON	29	102155	12	NUT
30	102329	1	PTO DRIVE SHAFT - 540 RPM 6 SPLINE	30	102449	1	PTO DRIVE SHAFT - 1000 RPM 21 SPLINE
31	102063	1	5 RIB CONE	31	102935	1	6 RIB CONE
32	102060	1	SHIELD TUBE, INNER	32	102932	1	SHIELD TUBE, INNER
33	102058	2	BEARING RING	33	102058	2	BEARING RING
34	102055	1	PROFILE	34	102928	1	PROFILE
35	102053	2	SPRING PIN	35	102925	2	SPRING PIN
36	102056	1	INNER YOKE	36	102929	1	INNER YOKE
37	102057	1	CROSS	37	102926	1	CROSS
38	102251	1	SHEAR CLUTCH ASSEMBLY	38	102450	1	SHEAR CLUTCH ASSEMBLY
39	4389	1	SHEAR YOKE	39	4465	1	SHEAR YOKE
40	4392	1	HUB, 1 3/8 BORE	40	4464	1	HUB, 1 3/8 BORE
41	4391	24	BALL BEARING	41	4391	24	BALL BEARING
42	4390	1	GREASE ZERK	42	4390	1	GREASE ZERK
43	102470	2	SET SCREW	43	102470	2	SETSCREW
*44	***	1	SHEAR BOLT	*44	***	1	SHEAR BOLT
45	102574	1	NUT	45	102574	1	NUT
46	102061	1	CV CONE & BEARING ASSY	46	102933	1	CV CONE & BEARING ASSY
47	102047	1	YOKE, 540 RPM 6 SPUNE	47	102920	1	YOKE, 1000 RPM 21 SPLINE
48	102052	2	CROSS	48	102924	2	CROSS
49	102049	1	DOUBLE YOKE	49	102922	1	DOUBLE YOKE
50	102051	1	INNER YOKE	50	102923	1	INNER YOKE
51	102054	1	PROFILE	51	102927	1	PROFILE
52	102059	1	SHIELD TUBE, OUTER	52	102931	1	SHIELD TUBE, OUTER
53	102062	1	3 RIB CONE	53	102934	1	3 RIB CONE
54	102064	8	SCREW (CV CONE)	54	102064	8	SCREW (CV CONE)
55	102066	1	DECAL, OUTER IN	55	102066	1	DECAL, OUTER IN
56	102067	1	DECAL, INNER IN	56	102067	1	DECAL, INNER IN
57	102050	1	GREASE ZERK	57	102050	1	GREASE ZERK
58	102065	1	SAFETY CHAIN	58	102065	1	SAFETY CHAIN

NOTE: *12 WHEN ORDERING MEASURE LENGTH AND DIAMETER.

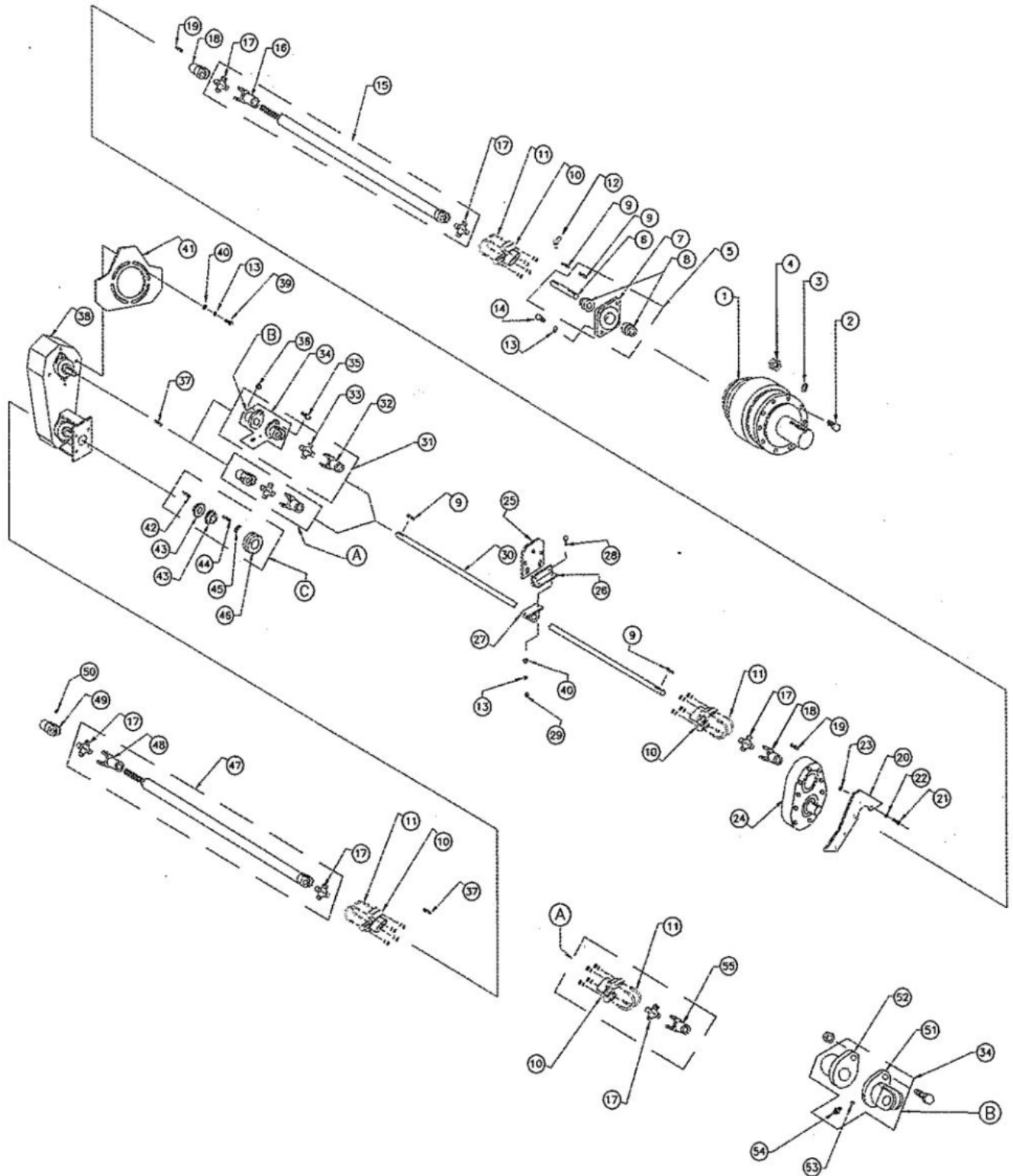
*44 SEE CHART BELOW TO DETERMINE SHEAR BOLT USED.

NPN - NO PART NUMBER

MIXER	PTO	PART #	GRADE	SHEAR POINT
325-375 TRAILER	540 RPM	102570	GRADE-2	THREADS
425 TRAILER	540 RPM	102571	GRADE-2	SHANK
325-375-425 TRAILER	1000 RPM	102570	GRADE-2	THREADS

Drive Line Truck

W/ 17.8 Gear Box With Reverser



Drive Line Truck

W/ 17.8 Gear Box With Reverser

ITEM	PART #	QTY	DESCRIPTION	ITEM	PART #	QTY	DESCRIPTION
1	103074	1	GEAR BOX 17.8	29	300826	4	NUT (325)
2	102154	12	SCREW	29	300826	8	NUT (375, 425)
3	101323	12	LOCK WASHER	*30	NPN	1	DRIVE SHAFT
4	102155	12	NUT	*31	102388	1	SHEAR CLUTCH W/ CROSS & YOKE
5	A15707	1	INPUT ADAPTER ASSY	32	4485	1	YOKE
6	15167	1	INPUT ADAPTER SHAFT	33	102057	1	CROSS
7	A15170	1	ADAPTER FLANGE ASSY	*34	102331	1	SHEAR CLUTCH
8	101827	2	BEARING	*35	***	1	SHEAR BOLT
9	10983	4	KEY	*36	102574	1	NUT
10	100598	3	YOKE, BOLTON	37	16646	2	KEY
11	100882	3	U-BOLT KIT	*38	A9678	1	GTD 16"
12	102366	1	GREASE ZERK	*38	A9677	1	GTD 19 1/4"
13	100272	12	LOCK WASHER (325)	*38	A9676	1	GTD 22 3/4"
13	100272	16	LOCK WASHER (375, 425)	39	102853	4	SCREW
14	101444	4	SCREW	40	100838	8	FLAT WASHER (325)
15	102116	1	DRIVE SHAFT ASSY WELDED	40	100838	12	FLAT WASHER (375, 425)
16	NPN	1	YOKE - SPICER # 2-3-8001 kx	*41	17570	1	GTD HANGER
17	100785	5	CROSS	42	18438	1	KEY
18	101867	2	YOKE, SNAP RING	43	101874	2	SPROCKET, CHAIN COUPLER
19	16339	2	KEY	44	NPN	1	KEY (391-1781-021)
20	15995	1	PLATE, GEAR BOX HANGER - WELD ON	45	101875	1	CHAIN
21	102494	4	SCREW	46	101876	1	CHAIN COUPLER COVER
22	100170	4	LOCK WASHER	47	100884	1	DRIVE SHAFT ASSY UNWELDED
23	100297	4	NUT	48	100881	1	YOKE, SPLINED
24	102225	1	REVERSER, GEAR BOX 1:1	49	16391	1	YOKE
25	15178	1	HANGER 4 3/4" x T (325)	50	100241	2	SET SCREW
25	15178	2	HANGER 4 3/4" x 7" (375, 425)	51	4389	1	SHEAR YOKE
26	15180	1	BEARING ANGLE (325)	52	4393	1	HUB, 1 1/4 BORE
26	15180	2	BEARING ANGLE (375, 425)	53	4391	24	BALLBEARING
27	100055	1	BEARING (325)	54	4390	1	GREASE ZERK
27	100055	2	BEARING (375, 425)	55	100599	1	YOKE
28	102482	4	SCREW (325)				
28	102482	8	SCREW (375, 425)				

NOTE: *38 GTD MEASURED LENGTH IS FROM CENTER TO CENTER OF SHAFTS.

*30 WHEN ORDERING MEASURE LENGTH AND DIAMETER.

*31 & *34 DO NOT INCLUDE ITEMS *35 & *36.

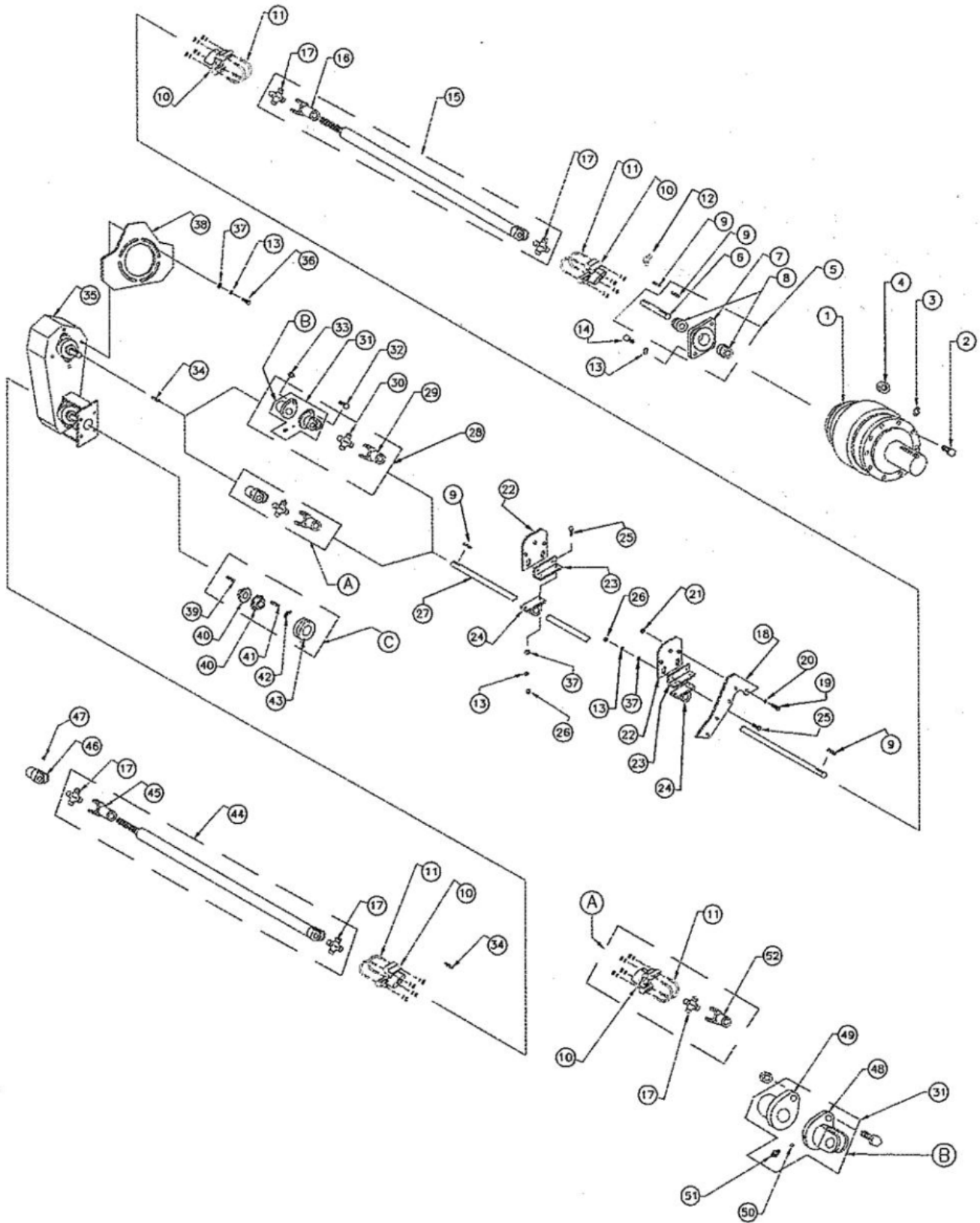
*35 REVIEW CHART TO DETERMINE SHEAR BOLT USED.

*41 - THE GTD MOUNT PLATE IS NOW AN INTEGRAL PART OF THE FRONT END BOTTOM SHEET (P/N 17569) FOR MOST UNITS ABOVE S/N (325HC0000, 375HC0000, 425HC0000). VERIFY TYPE (WELD-ON OR FRONT END BOTTOM SHEET) WHEN ORDERING REPLACEMENT.

NPN - NO PART NUMBER

Drive Line Truck

W/ 17.8 Gear Box W/O Reverser



Drive Line Truck

W/ 17.8 Gear Box W/O Reverser

ITEM	PART #	QTY	DESCRIPTION	ITEM	PART #	QTY	DESCRIPTION
1	103074	1	GEAR BOX 17.8	26	300826	8	NUT (325)
2	102151	12	SCREW	26	300826	12	NUT (375, 425)
3	101323	12	LOCK WASHER	*27	NPN	1	DRIVE SHAFT
4	102155	12	NUT	*28	102388	1	SHEAR CLUTCH W/ CROSS & YOKE
5	A15707	1	INPUT ADAPTER ASS'Y	29	4485	1	YOKE
6	15167	1	INPUT ADAPTER SHAFT	30	102057	1	CROSS
7	A15170	1	ADAPTER FLANGE ASS'Y	*31	102331	1	SHEAR CLUTCH
8	101827	2	BEARING	*32	***	1	SHEAR BOLT
9	10983	4	KEY	*33	102571	1	NUT
10	100598	3	YOKE, BOLT ON	34	16646	2	KEY
11	100882	3	U-BOLTKIT	*35	A9678	1	GTD 16"
12	102366	1	GREASE ZERK	*35	A9677	1	GTD 19 1/4"
13	100272	16	LOCK WASHER (325)	*35	A9676	1	GTD 22 3/4"
13	100272	20	LOCK WASHER (375, 425)	36	102853	4	SCREW
14	101444	4	SCREW	37	100838	12	FLAT WASHER (325)
15	102116	1	DRIVE SHAFT ASS'Y WELDED	37	100838	16	FLAT WASHER (375, 425)
16	NPN	1	YOKE - SPICER # 2-3-8001 kx	*38	17570	1	GTD HANGER
17	100785	4	CROSS	39	18138	1	KEY
18	15995	1	PLATE, GEAR BOX HANGER - WELD ON	40	101871	2	SPROCKET, CHAIN COUPLER
19	100692	3	SCREW	41	NPN	1	KEY (391-1781-021)
20	100271	3	LOCK WASHER	42	101875	1	CHAIN
21	100254	3	NUT	43	101876	1	CHAIN COUPLER COVER
22	15178	2	HANGER 4 3/4" x 7" (325)	44	100884	1	DRIVE SHAFT ASS'Y UNWELDED
22	15178	3	HANGER 4 3/4" x 7" (375, 425)	45	100881	1	YOKE, SPUNED
23	15180	2	BEARING ANGLE (325)	46	16391	1	YOKE
23	15180	3	BEARING ANGLE (375, 425)	47	100241	2	SETSCREW
24	100055	2	BEARING (325)	48	4389	1	SHEAR YOKE
24	100055	3	BEARING (375, 425)	49	4393	1	HUB, 1 1/1 BORE
25	102482	8	SCREW (325)	50	4391	24	BALLBEARING
25	102482	12	SCREW (375, 425)	51	4390	1	GREASE ZERK
				52	100599	1	YOKE

NOTE: *35 GTD MEASURED LENGTH IS FROM CENTER TO CENTER OF SHAFTS.

*27 WHEN ORDERING MEASURE LENGTH AND DIAMETER.

*28 & *31 DO NOT INCLUDE ITEMS *32 & *33.

*32 REVIEW CHART TO DETERMINE SHEAR BOLT USED.

*38 - THE GTD MOUNT PLATE IS NOW AN INTEGRAL PART OF THE FRONT END BOTTOM SHEET (P/N 17569) FOR MOST UNITS ABOVE S/N (325HC0000, 375HC0000, 425HC0000). VERIFY TYPE (WELD-ON OR FRONT END BOTTOM SHEET) WHEN ORDERING REPLACEMENT.

NPN - NO PART NUMBER

MIXER	PART #	GRADE	SHEAR POINT
325-375-425 TRUCK	102570	GRADE-2	THREADS

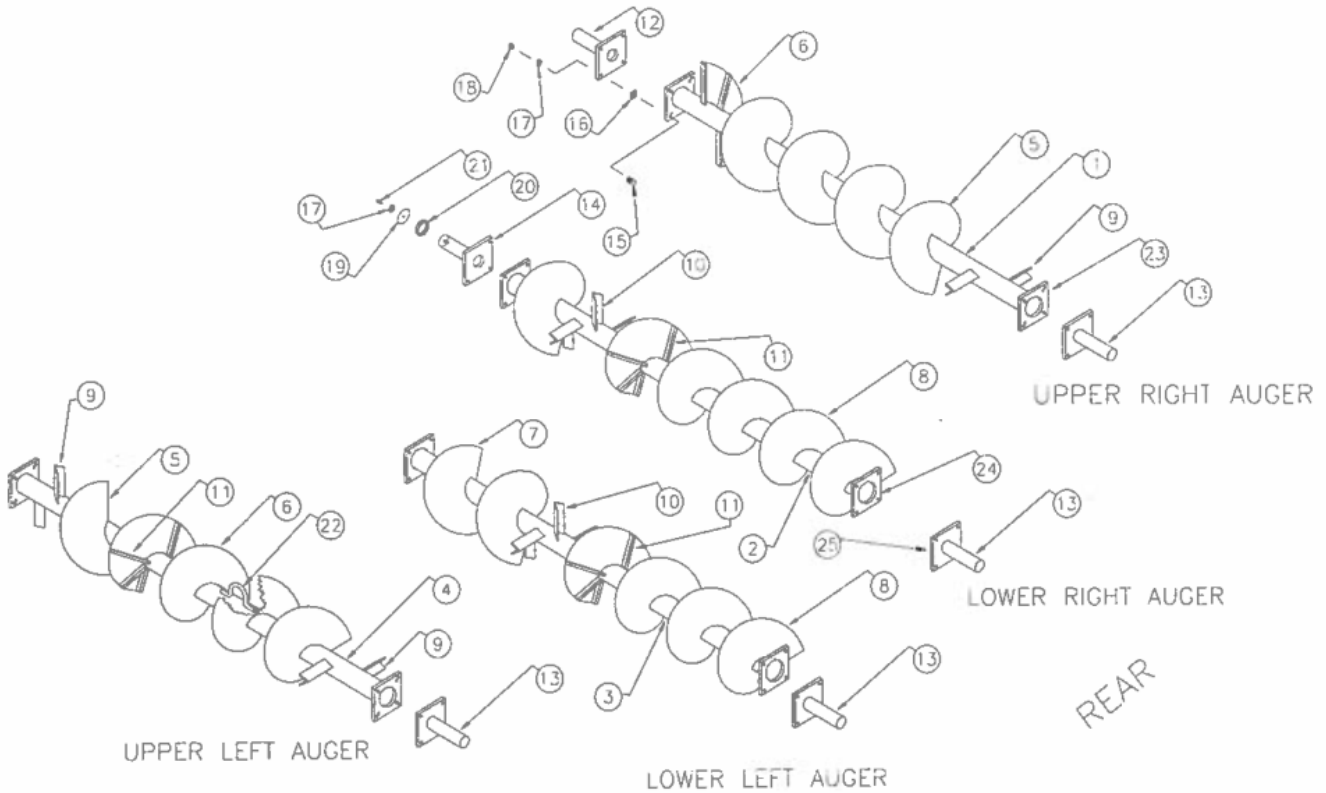
Auger Assembly (Feed Augers)

TYPICAL EXAMPLE



TO DETERMINE FLIGHTING TYPE:
 COMPARE THE FLIGHTING WITH THE THREADS OF A BOLT AND IF THE FLIGHTING IS WRAPPED AROUND THE PIPE EXTENDING AWAY FROM YOU IN A CLOCKWISE DIRECTION THEN IT IS RIGHT HAND (RH) FLIGHTING IF THE FLIGHTING IS WRAPPED AROUND THE PIPE EXTENDING AWAY FROM YOU IN A COUNTER CLOCKWISE DIRECTION THEN IT IS LEFT HAND (LH) FLIGHTING.

BEARINGS: SEE REAR DRIVE



NOTE:

THESE ARE NOT ACTUAL FLIGHTING ARRANGEMENTS, THESE DRAWINGS ARE FOR ILLUSTRATION ONLY. PLEASE CHECK AUGER TUBE DIAMETER, ORIGINAL FLIGHTING SIZE, AND FLIGHTING ARRANGEMENT BEFORE ORDERING REPLACEMENT FLIGHTING. PLEASE SPECIFY AR OR MILD STEEL. SEE AUGER ORDER FORM.

Auger Assembly (Feed Augers)

ITEM	PART #	QTY	DESCRIPTION	ITEM	PART #	QTY	DESCRIPTION
1	**		AUGER ASST UPPER RIGHT	13	16058	1	STUB SHAFT, REAR
2	**		AUGER ASST, LOWER RIGHT	14	16049	2	STUB SHAFT, LOWER FRONT
3	**		AUGER ASST, LOWER LEFT	15	100321	32	SCREW
4	**		AUGER ASST, UPPER LEFT	16	12719	AR	SHIM
5	15924	AR	FLIGHTING RH 3/8 x 24 OD x 24P x 5 ID SAW	17	100273	34	LOCK WASHER
6	15925	AR	FLIGHTING LH 3/8 x 24 ODX 24PX 5 ID SAW	18	100248	32	NUT
7	15926	AR	FLIGHTING RH 1/2 x 24 OD x 24P x 6 1/2 ID SAW	19	16055	2	WASHER, SHAFT SPACER
*7	17685	AR	FLIGHTING RH 1/2 x 23 1/4 OD x 24P x 6 1/2 ID	20	16057	2	SHAFT SPACER RING
8	15927	AR	FLIGHTING LH 1/2 x 24 OD x 24P x 6 1/2 ID SAW	21	100377	2	SCREW
*8	17684	AR	FLIGHTING LH 1/2 x 23 1/4 OD x 24P x 6 1/2 ID	*22	16392	6	AUGER HOOK
9	16047	AR	KICKER, ANGLE (UPPER)	23	15353	4	UPPER AUGER FLANGE PLATE
10	15942	AR	KICKER, ANGLE (LOWER)	24	15358	4	LOWER AUGER FLANGE PLATE
11	10721	AR	BRACE, 1/2 x 1 1/2 x 7 1/2	25	16003	8	STUB SHAFT FLANGE PLATE
12	16048	2	STUB SHAFT, UPPER FRONT				

NOTE: *7, *8 - REDUCED DIAMETER FLIGHTING.

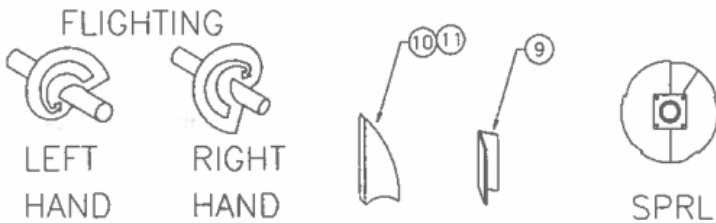
*22 - LOWER AUGERS USE 2 PER AUGER.

** DUE TO VARIOUS AUGER CONFIGURATIONS, PLEASE CHECK YOUR AUGER BEFORE ORDERING.

AR - AS REQUIRED

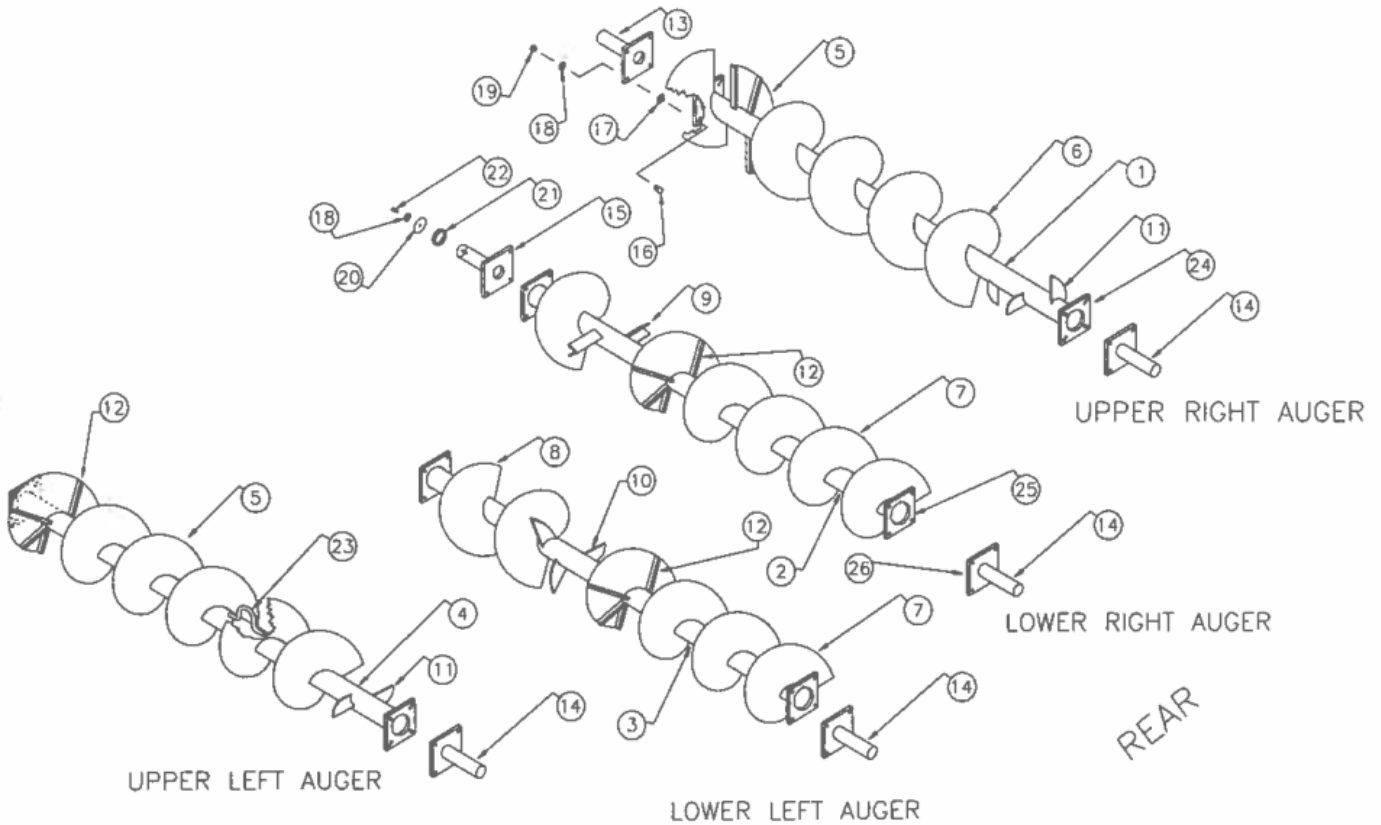
Auger Assembly (Hay Augers)

TYPICAL EXAMPLE



TO DETERMINE FLIGHTING TYPE:
 COMPARE THE FLIGHTING WITH THE THREADS OF A BOLT AND IF THE FLIGHTING IS WRAPPED AROUND THE PIPE EXTENDING AWAY FROM YOU IN A CLOCKWISE DIRECTION THEN IT IS RIGHT HAND (RH) FLIGHTING IF THE FLIGHTING IS WRAPPED AROUND THE PIPE EXTENDING AWAY FROM YOU IN A COUNTER CLOCKWISE DIRECTION THEN IT IS LEFT HAND (LH) FLIGHTING.

BEARINGS: SEE REAR DRIVE



NOTE:

THESE ARE NOT ACTUAL FLIGHTING ARRANGEMENTS, THESE DRAWINGS ARE FOR ILLUSTRATION ONLY. PLEASE CHECK AUGER TUBE DIAMETER, ORIGINAL FLIGHTING SIZE, AND FLIGHTING ARRANGEMENT BEFORE ORDERING REPLACEMENT FLIGHTING. PLEASE SPECIFY AR OR MILD STEEL. SEE AUGER ORDER FORM.

Auger Assembly (Hay Augers)

ITEM	PART #	QTY	DESCRIPTION	ITEM	PART #	QTY	DESCRIPTION
1	**		AUGER ASSY, UPPER RIGHT	13	16048	2	STUB SHAFT, UPPER FRONT
2	**		AUGER ASSY, LOWER RIGHT	14	16058	4	STUB SHAFT, REAR
3	**		AUGER ASSY, LOWER LEFT	15	16049	2	STUB SHAFT, LOWER FRONT
4	**		AUGER ASSY, UPPER LEFT	16	100321	32	SCREW
5	16376	AR	FLIGHTING LH 3/8 x 24 OD x 24P x 5 ID SPRL	17	12719	AR	SHIM
6	16377	AR	FLIGHTING RH 3/8 x 24 OD x 24P x 5 ID SPRL	18	100273	34	LOCK WASHER
7	16378	AR	FLIGHTING LH 1/2 x 24 OD x 24P x 6 1/2 ID SPRL	19	100248	32	NUT
*7	17686	AR	FLIGHTING LH 1/2 x 23 1/4 OD x 24P x 6 1/2 ID	20	16055	2	WASHER, SHAFT SPACER
8	16379	AR	FLIGHTING RH 1/2 x 24 OD x 24P x 6 1/2 ID SPRL	21	16057	2	SHAFT SPACER RING
*8	17687	AR	FLIGHTING RH 1/2 x 23 1/4 OD x 24P x 6 1/2 ID	22	100377	2	SCREW
9	15942	AR	KICKER, ANGLE	*23	16392	6	AUGER HOOK
10	15943	AR	KICKER, CURVED (LOWER)	24	15353	4	UPPER AUGER FLANGE PLATE
11	15947	AR	KICKER, CURVED (UPPER)	25	15358	4	LOWER AUGER FLANGE PLATE
12	10721	AR	BRACE, 1/2 x 1 1/2 x 7 1/2	26	16003	8	STUB SHAFT FLANGE PLATE

NOTE: *7, *8 - REDUCED DIAMETER FLIGHTING.

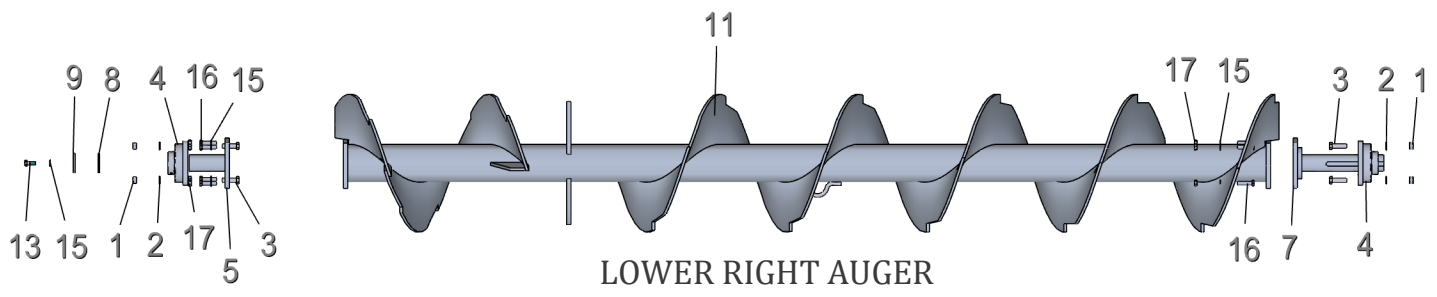
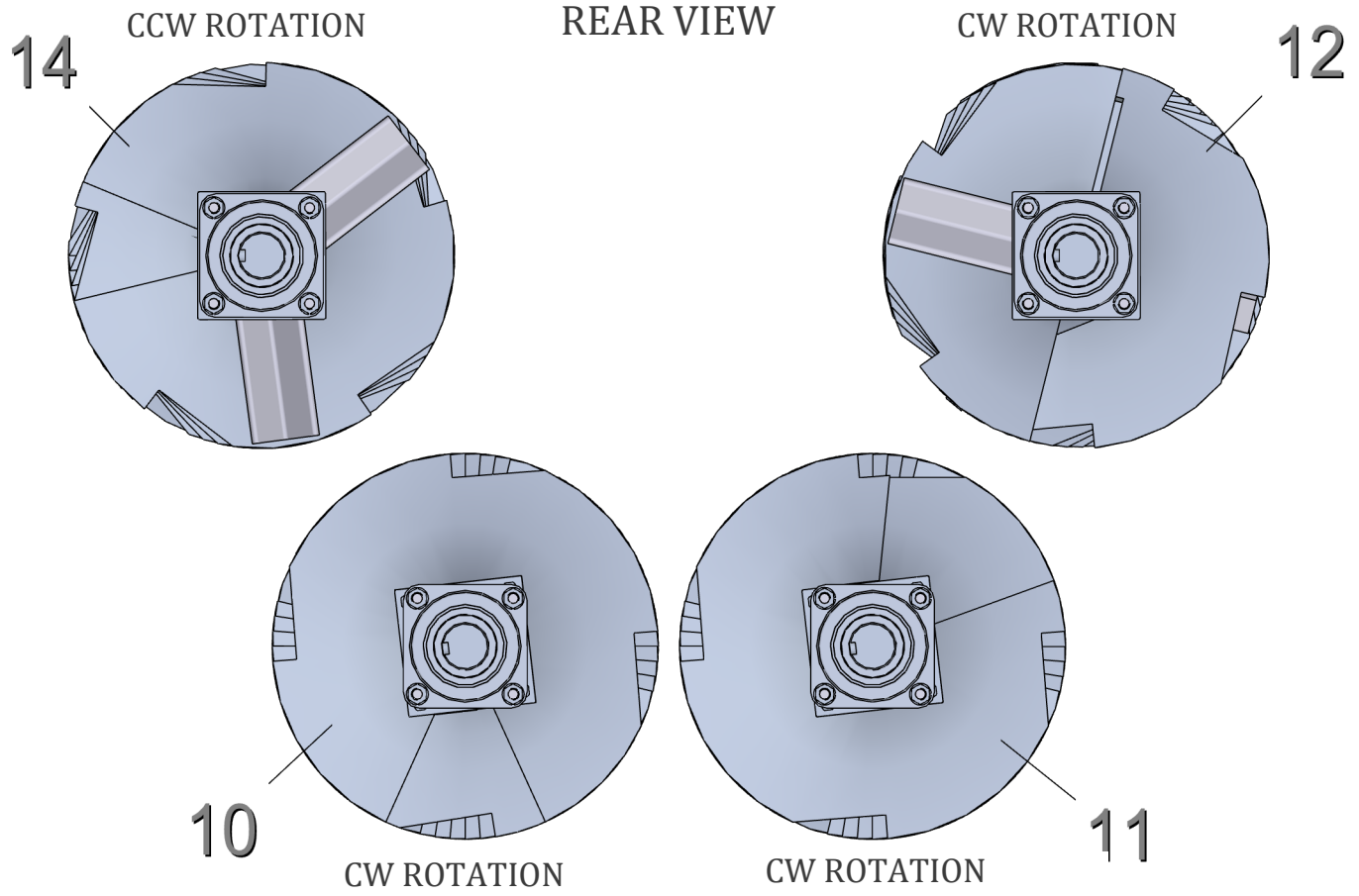
*23 - LOWER AUGERS USE 2 PER AUGER.

** DUE TO VARIOUS AUGER CONFIGURATIONS, PLEASE CHECK YOUR AUGER BEFORE ORDERING.

AR - AS REQUIRED

Auger Group 375 (EZ Mix)

Auger Group, EZ-Mix, 375 Feed - A8329



Auger Group 375 (EZ Mix)

Auger Group, EZ-Mix, 375 Feed - A8329

#	Part Number	Title	Quantity
1	100252	NUT, HEX 3/4-16 UNF	32
2	100554	WASHER LOCK, 3/4"	32
3	100555	SCREW, HX HD CAP, 3/4-16 UNF X 2-1/2 GR 5	32
4	101707	BEARING, 2-15/16 4 BOLT FLANGE	8
5	A16049	STUB SHAFT ASSY, 2 15/16 X 7 TAPPED	2
6	A16048	STUB SHAFT ASSY, 2 15/16 X 7 LG	2
7	A16058	STUB SHAFT ASSY, 2 15/16 X 15 7/8	4
8	16057	SPACER, FRONT STUB SHAFT	2
9	16055	WASHER, SHAFT SPACER 3 1/2 OD X 3/8	2
10	A21794	AUGER ASSY, LOWER LEFT 375SD FEED EZ	1
11	A21795	AUGER ASSY, LOWER RIGHT 375SD FEED EZ	1
12	A16046	AUGER ASSY, UPPER RIGHT 375H FEED	1
13	100377	SCREW, HX HD CAP 5/8-11 UNC X 1 1/2 GR5	2
14	A16044	AUGER ASSY, UPPER LEFT 375H FEED	1
15	100273	WASHER, LOCK, 5/8	34
16	100321	SCREW, HX HD CAP 5/8-18x2 1/2	32
17	100248	NUT, HEX 5/8-18 UNF	32

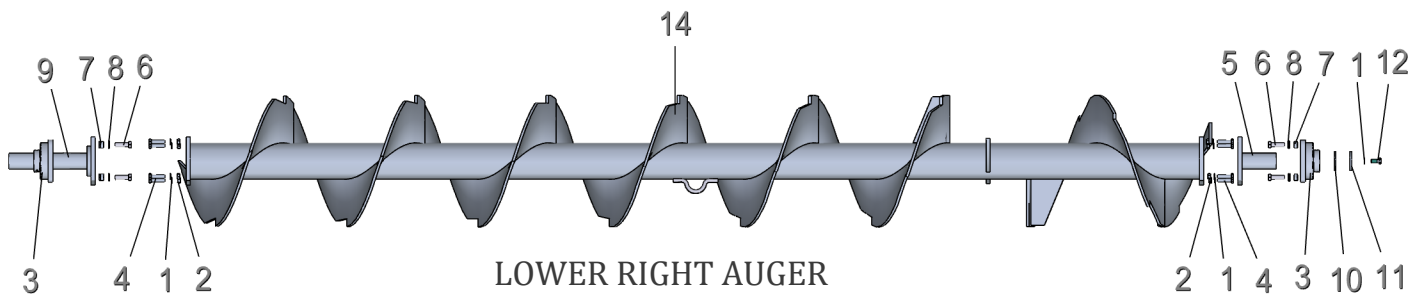
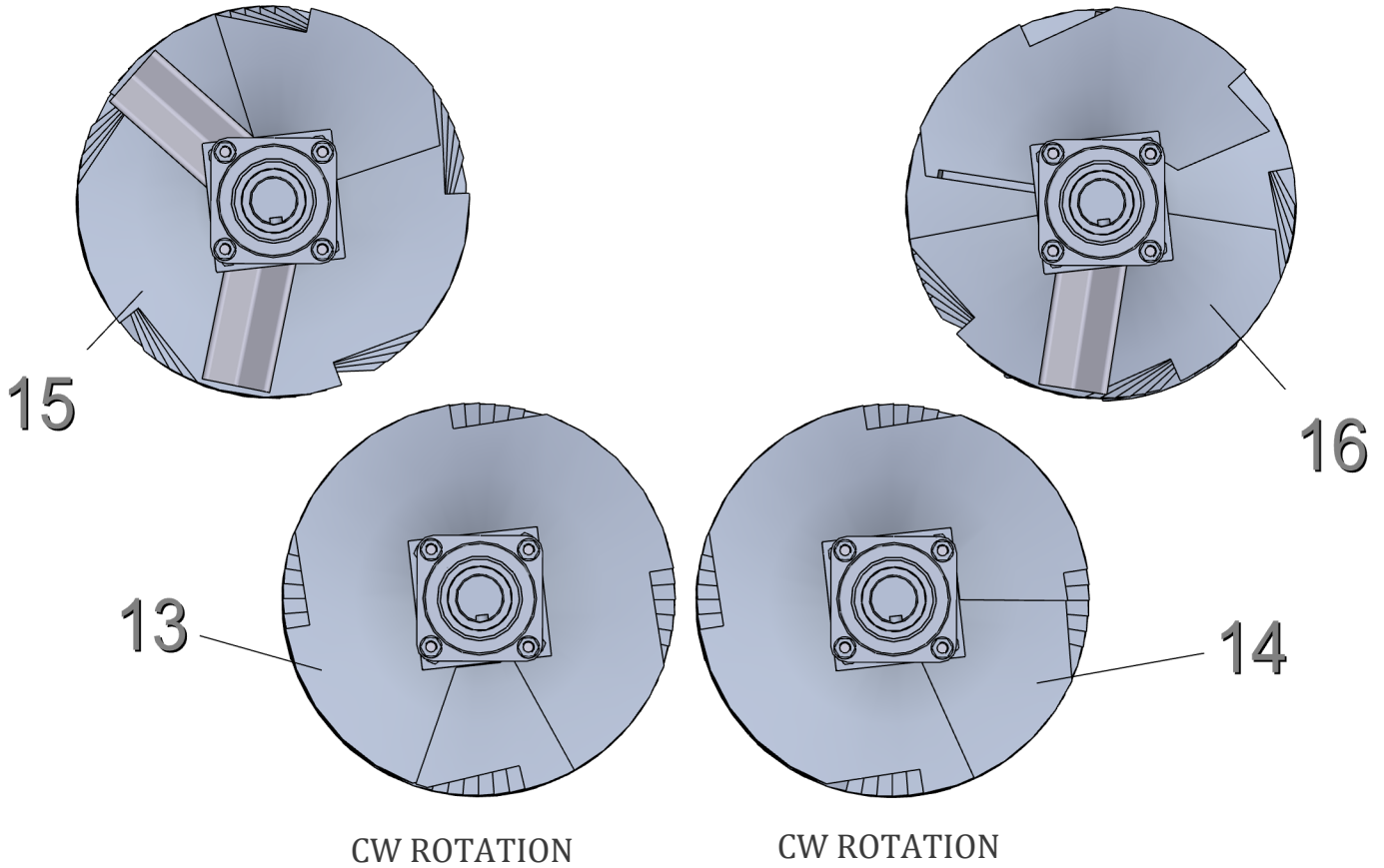
Auger Group 425 (EZ Mix)

Auger Group, EZ-Mix, 425 Feed - A8379

REAR VIEW

CCW ROTATION

CW ROTATION



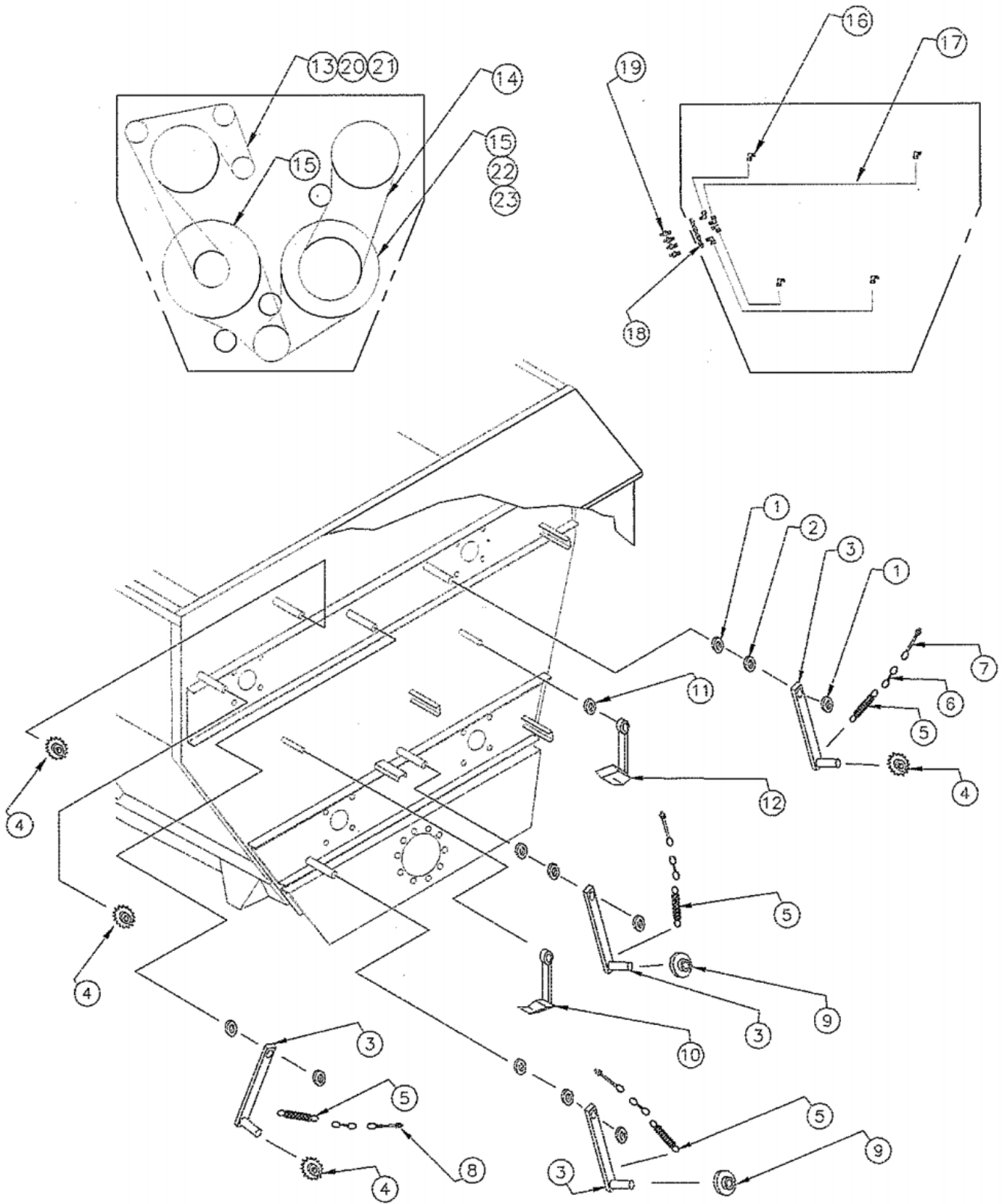
Auger Group 425 (EZ Mix)

Auger Group, EZ-Mix, 425 Feed - A8379

#	Part Number	Title	Quantity
1	100273	WASHER, LOCK, 5/8	34
2	100248	NUT, HEX 5/8-18 UNF	32
3	101707	BEARING, 2-15/16 4 BOLT FLANGE	8
4	100321	SCREW, HX HD CAP 5/8-18x2 1/2	32
5	A16049	STUB SHAFT ASSY, 2 15/16 X 7 TAPPED	4
6	100555	SCREW, HX HD CAP, 3/4-16 UNF X 2-1/2 GR 5	32
7	100252	NUT, HEX 3/4-16 UNF	32
8	100554	WASHER LOCK, 3/4"	32
9	A16058	STUB SHAFT ASSY, 2 15/16 X 15 7/8	4
10	16057	SPACER, FRONT STUB SHAFT	2
11	16055	WASHER, SHAFT SPACER 3 1/2 OD X 3/8	2
12	100377	SCREW, HX HD CAP 5/8-11 UNC X 1 1/2 GR5	2
13	A23153	AUGER ASS'Y, LOWER LEFT 425 FEED EZ	1
14	A23154	AUGER ASS'Y, LOWER RIGHT 425 FEED EZ	1
15	A17457	AUGER ASS'Y, UPPER LEFT 425 FEED	1
16	A17456	AUGER ASS'Y, UPPER RIGHT 425 FEED	1

Rear Drive

With 120 Main Drive Chain



Rear Drive

With 120 Main Drive Chain

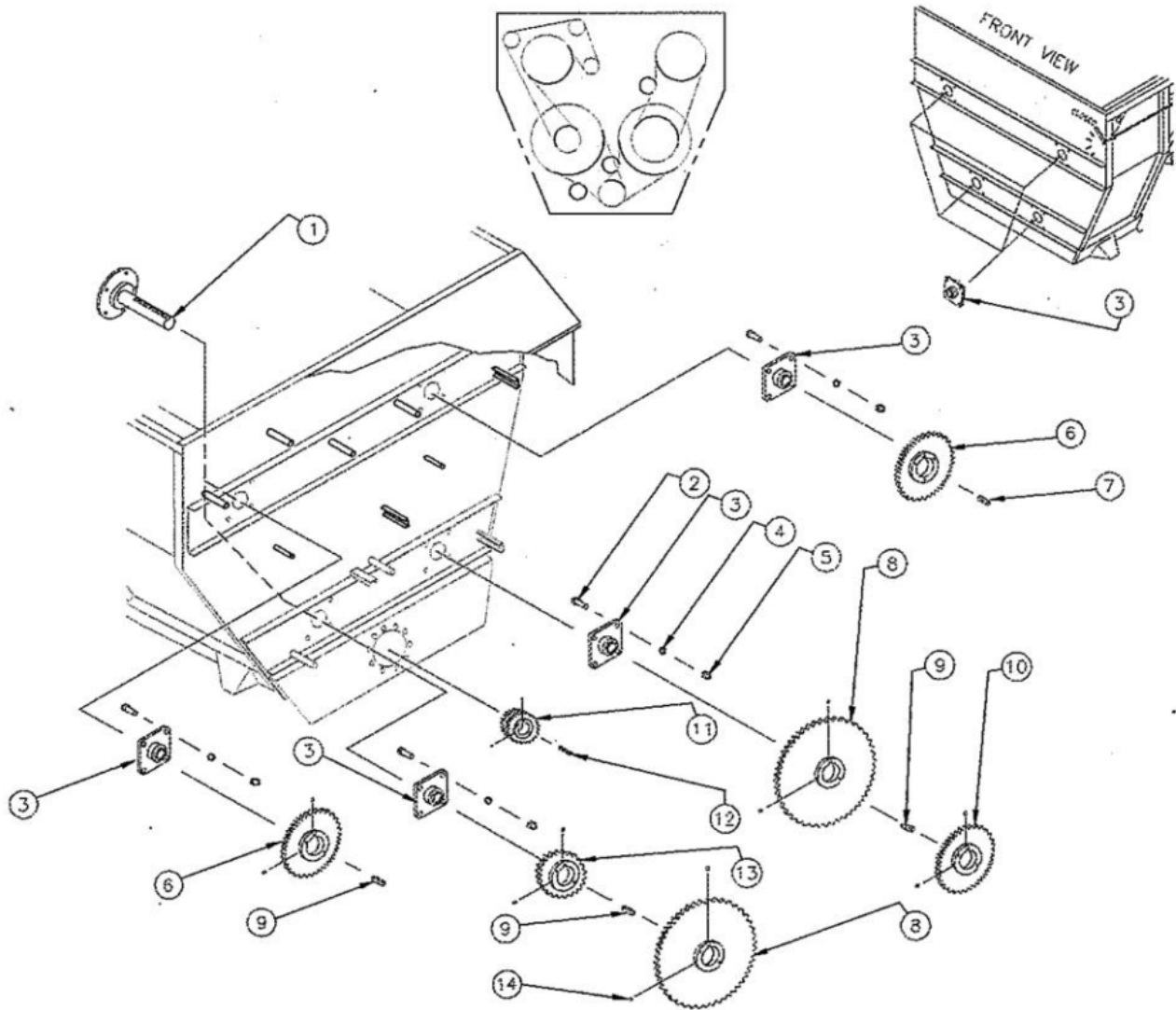
ITEM	PART #	QTY	DESCRIPTION
1	101829	7	COLLAR W/ SET SCREW
2	102355	4	BEARING, NYLON
*3	15365	4	IDLER ARM
4	A13375	4	SPROCKET
5	101831	4	SPRING 8"
6	7070514	AR	CHAIN
7	101840	4	EYEBOLT
8	100254	8	NUT
9	A14900	2	ROLLER ASSEMBLY
10	A18191	1	OILER ASS'Y
11	16173	1	SPACER
12	A18102	1	OILER ASS'Y

ITEM	PART #	QTY	DESCRIPTION
13	16086	1	DRIVE CHAIN (W/ CONN.) 100 x 130
14	16087	1	DRIVE CHAIN (W/ CONN.) 100 x 79
15	16088	2	DRIVE CHAIN (W/ CONN.) 120 x 60
16	102797	8	90° COMP. FITTING
17	6060031	1	ALUMINUM TUBING 16'
18	100300	4	WASHER, FLAT
19	100218	4	GREASE FITTING, 1/8 NPT
20	100316	AR	CONNECTOR LINK, 100
21	100315	AR	OFFSET LINK, 100
22	100671	AR	CONNECTOR LINK, 120
23	100672	AR	OFFSET LINK, 120

NOTE: *3 REQUIRES NYLON BEARINGS (#2).
20, 21, 22, 23 - NOT SHOWN
AR - AS REQUIRED

Rear Drive

With 120 Main Drive Chain



REAR DRIVE ASSEMBLY

WITH 120 MAIN DRIVE CHAIN

ITEM PART# QTY DESCRIPTION

1	A16058	4	STUB SHAFT
2	100555	32	SCREW
3	101707	8	BEARING
4	100554	32	LOCK WASHER
5	100252	32	NUT
6	102417	2	SPROCKET (36 TOOTH - 100 CHAIN)
7	18817	1	KEY 3/4 x 6 3/4

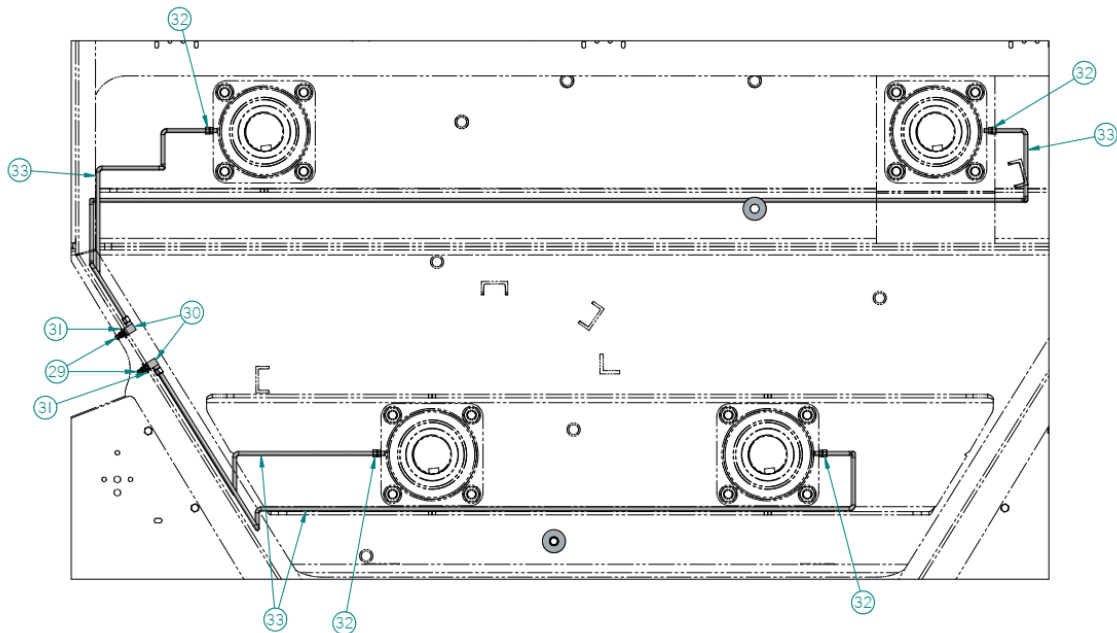
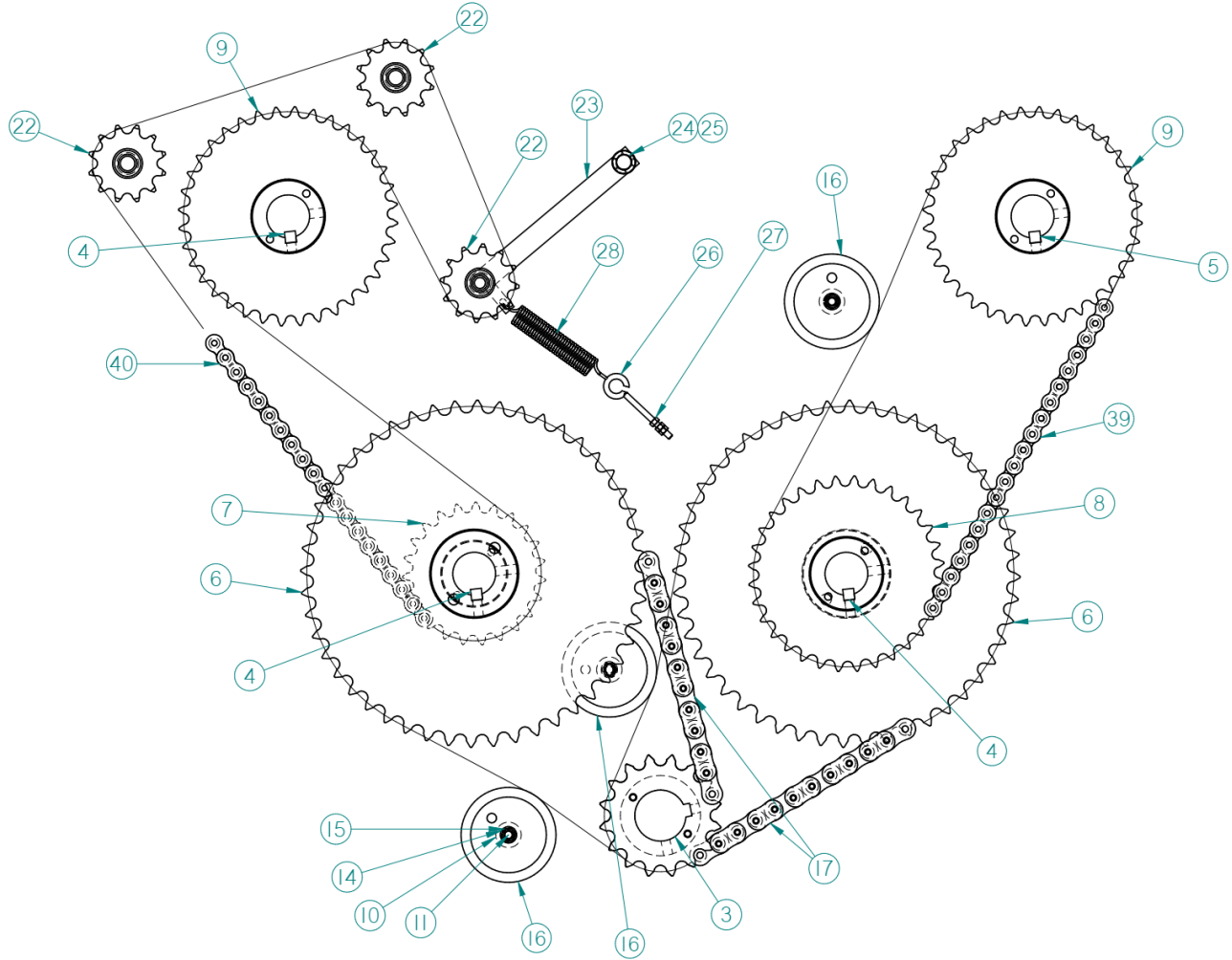
ITEM PART# QTY DESCRIPTION

8	102418	2	SPROCKET (48 TOOTH - 120 CHAIN)
9	18818	3	KEY 3/4 x 9 1/2
10	102416	1	SPROCKET (32 TOOTH - 100 CHAIN)
11	102419	1	SPROCKET, DOUBLE (16-120)
12	4483	1	KEY 3/4 x 5 1/4
13	102415	1	SPROCKET (23 TOOTH - 100 CHAIN)
14	4467	12	SET SCREW 3/4 - 10 x 3/4

NOTE: ALWAYS DETERMINE ACTUAL NUMBER OF TEETH ON SPROCKETS BEFORE ORDERING.

Rear Drive (UHMW Tensioners)

Rear Drive Group, 300's W/ 502 Gearbox - UHMW Tensioners - A8476



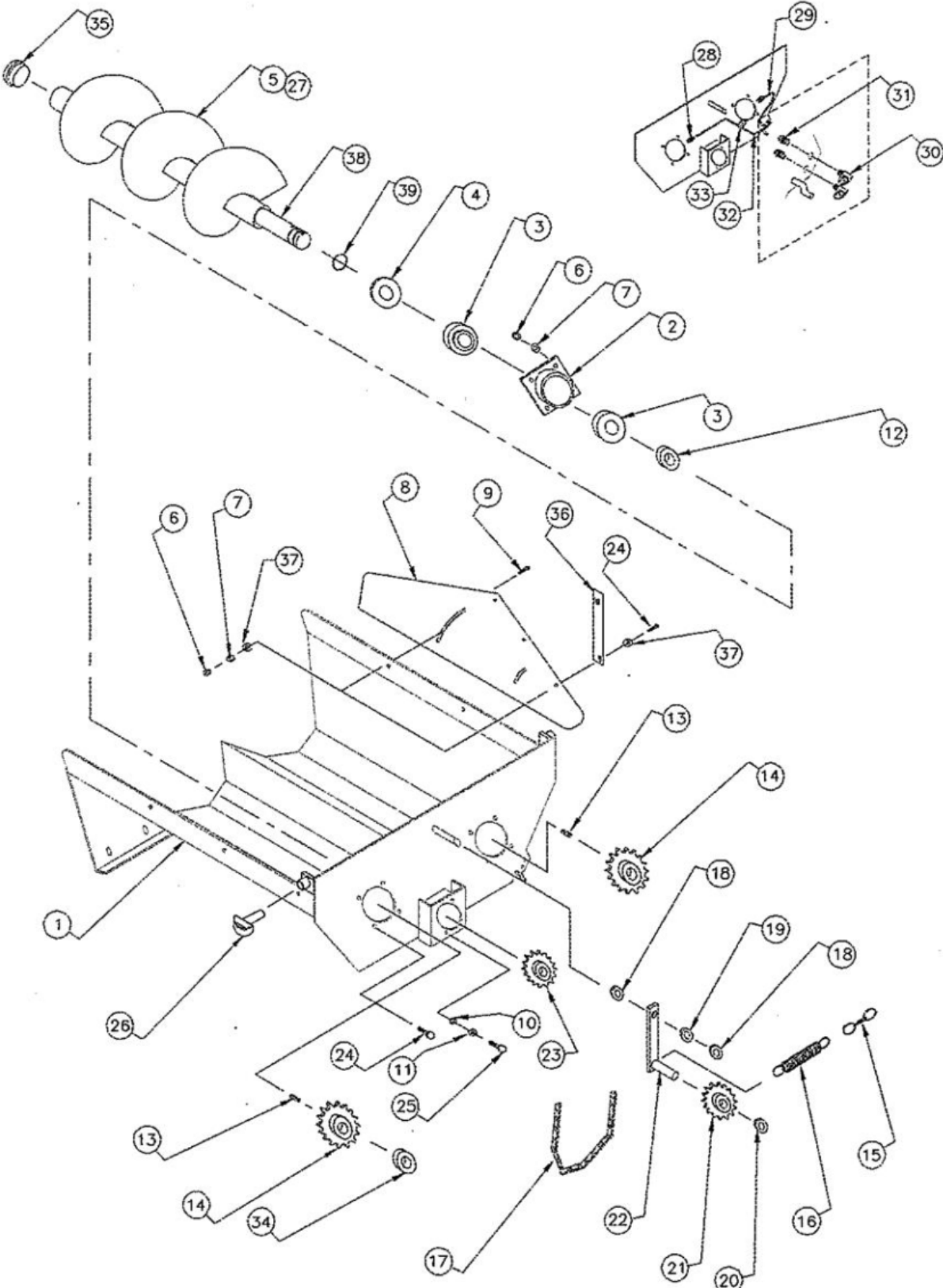
Rear Drive (UHMW Tensioners)

ITEM #	QTY	PART #	DESCRIPTION
40	1	16086 - T	CHAIN, # 100 X 130P INCLUDING CONN. - TSUBAKI
39	1	16087 - T	CHAIN, # 100 X 79P INCLUDING CONN. & OFFSET - TSUBAKI
33	4	606031	TUBING, ALUM 1/4 OD
32	4	102759	FITTING, COMPRESSION 1/8 NPT (M) X 1/4 STR.
31	4	100300	WASHER, FLAT 3/8" USS
30	4	102797	FITTING, COMPRESSION, 1/8 NPT (F) 1/4x90deg
29	4	100218	GREASE FITTING, 1/8 NPT
28	1	101831	SPRING, EXTENSION 1 1/4OD X 8 LG (#626)
27	1	100254	NUT, HEX 3/8 -16 UNC GR 5
26	1	101840	EYEBOLT ASS'Y
25	1	102355	BEARING, NYLINER 1 ID
24	2	101829	COLLAR, SET SCREW 1 ID X 1 5/8 OD
23	1	A15365	TENSION ARM ASS'Y W/ 3 3/4 PIN
22	3	A13375	SPROCKET ASSY, 100A12 TO RA100RR BRNG
17	2	16088 - T	CHAIN, #120 x 61P INCL CONN & OFFSET - TSUBAKI
16	3	24124	CHAIN TENSIONER, 3" WIDE
15	3	100370	NUT, 5/8 - 11
14	3	100273	WASHER, LOCK, 5/8
11	3	101367	SCREW, HX HD CAP 5/8-11 UNC X 4 GR 5
10	6	100179	WASHER, FLAT 5/8
9	2	102417	SPROCKET 100B36 2 15/16 BORE
8	1	102416	SPROCKET 100B32 2 15/16 BORE
7	1	102415	SPROCKET 100B23 2 15/16 BORE
6	2	102418	SPROCKET 120B48 2 15/16 BORE
5	1	19696	KEY, SQUARE 3/4 X 6 1/2
4	3	19697	KEY, SQUARE 3/4 X 8 1/2
3	1	103764	SPROCKET DSI20A16H 3 1/2 BORE

NOTE:

The Rear Drive Group is available with Lynx or Tsubaki chains - Item # 17, 39, & 40.

Discharge (Formed Bottom)



Discharge (Formed Bottom)

ITEM	PART #	QTY	DESCRIPTION	ITEM	PART #	QTY	DESCRIPTION
*1	A16616	1	DISCHARGE BOTTOM ASSY (27.5")	17	15131	1	CHAIN
*1	A16021	1	DISCHARGE BOTTOM ASSY (34.5")	18	101830	2	SET COLLAR
*1	A16669	1	DISCHARGE BOTTOM ASSY (42.5")	19	102003	1	BUSHING
2	A14590	2	AUGER BEARING HOUSING	20	NSS	1	BEARING LOCK COLLAR
3	16819	4	BEARING (1 7/16 ID)	21	A15133	1	SPROCKET
4	15617	2	BEARING CAP	22	A15013	1	TENSIONER ARM
*5	A16619	2	DISCHARGE AUGER (27.5")	23	102128	1	SPROCKET
*5	A14500	2	DISCHARGE AUGER (34.5")	24	100240	12	SCREW
*5	A15127	2	DISCHARGE AUGER (42.5")	25	100230	2	SCREW
6	100254	16	NUT	26	A15285	2	PULL PIN, DISCHARGE
7	100271	16	LOCK WASHER	27	15166	AR	FLIGHTING, (10" PITCH PER FLIGHT)
*8	16604	2	DISCHARGE HANGER (27.5")	28	102759	2	FITTING, STRAIGHT COMP
*8	16788	2	DISCHARGE HANGER (34.5")	29	6060031	1	TUBE, 6 1/2" LONG
*8	16789	2	DISCHARGE HANGER (42.5")	30	102753	2	FITTING 90° COMP
*8	NPN	2	HANGER HALF, WITH HYD. LIFT	31	102454	2	GREASE ZERK
*8	NPN	2	HANGER HALF, WITH HYD. LIFT	32	6060031	1	TUBE, 24" LONG
9	102096	4	SCREW	33	102348	1	HOSE MOUNT CLAMP
10	100250	2	NUT	34	101964	2	BUSHING
11	100272	2	LOCK WASHER	35	102578	2	CAP, AUGER END
12	NSS	2	BEARING LOCK COLLAR	36	16078	2	BAR, DISCHARGE SPACER
13	15620	2	KEY	37	100300	16	WASHER, FLAT
14	101963	2	SPROCKET	38	14502	2	DISCHARGE AUGER SHAFT
15	15132	1	CHAIN, 6 LINKS	39	103040	2	SNAP RING
16	101831	1	SPRING				

NOTE: *1, *5 - WHEN ORDERING A NEW DISCHARGE, HANGER PLATE, AUGER, AUGER FLIGHTING, BOTTOM, OR LINERS, MEASURE DISCHARGE LENGTH. MEASUREMENTS ARE TAKEN FROM UNDER EITHER AUGER, FROM THE BACK PLATE TO THE END (WHERE CHUTE BEGINS). SEE PAGE 51 FOR VISUAL REFERENCE.

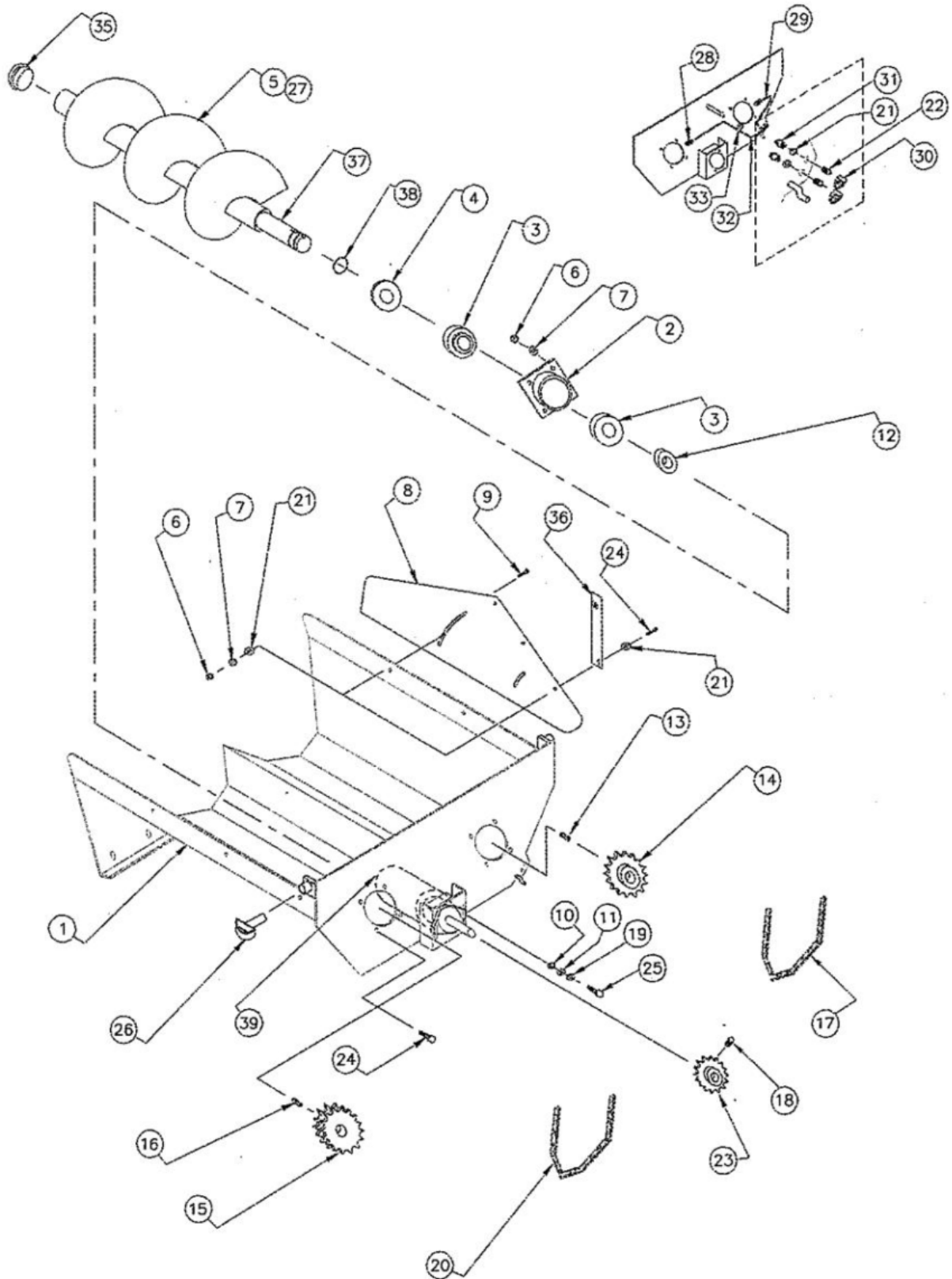
*8 - SOLD IN SETS ONLY

AR - AS REQUIRED

NPN - NO PART NUMBER

NSS - NOT SOLD SEPARATELY

Discharge (Dual Flat Bottom)



Discharge (Dual Flat Bottom)

ITEM	PART #	QTY	DESCRIPTION	ITEM	PART #	QTY	DESCRIPTION
	A17982	1	DISCHARGE ASSY FLTBTM DUAL SHT	15	102778	1	SPROCKET
	A17992	1	DISCHARGE ASSY FLT BTM DUAL MED	16	10983	1	KEY
	A17997	1	DISCHARGE ASSY FLT BTM DUAL EXT	17	102782	1	CHAIN
*1	A17978	1	DISCHARGE BOTTOM ASSY (27.5")	18	100703	6	SETSCREW
*1	A17990	1	DISCHARGE BOTTOM ASSY (34.5")	19	100838	2	FLAT WASHER
*1	A17995	1	DISCHARGE BOTTOM ASSY (42.5")	20	102783	1	CHAIN
2	A14590	2	AUGER BEARING HOUSING	21	100300	18	FLAT WASHER
3	16819	4	BEARING (1 7/16 ID)	22	102798	2	FITTING, 1/8 NPT CLOSE NIPPLE
4	15617	2	BEARING CAP	23	102128	1	SPROCKET
*5	A16619	2	DISCHARGE AUGER (27.5")	24	100240	12	SCREW
*5	A14500	2	DISCHARGE AUGER (34.5")	25	100230	2	SCREW
*5	A15127	2	DISCHARGE AUGER (42.5")	26	A15285	2	PULL PIN, DISCHARGE
6	100254	16	NUT	27	15166	AR	FLIGHTING, (10" PITCH PER FLIGHT)
7	100271	16	LOCK WASHER	28	102759	2	FITTING, STRAIGHT COMP
*8	17958	2	DISCHARGE HANGER (27.5")	29	6060031	1	TUBE, 6 1/2" LONG
*8	17993	2	DISCHARGE HANGER (34.5")	30	102797	2	FITTING 90° COMP. (F)
*8	17998	2	DISCHARGE HANGER (42.5")	31	102454	2	GREASE ZERK (F)
*8	NPN	2	HANGER HALF, WITH HYD. LIFT	32	6060031	1	TUBE, 24" LONG
*8	NPN	2	HANGER HALF, WITH HYD. LIFT	33	102318	1	HOSE MOUNT CLAMP
9	102096	4	SCREW	35	102578	2	CAP, AUGER END
10	100250	2	NUT	36	16078	2	BAR, DISCHARGE SPACER
11	100272	2	LOCK WASHER	37	14502	2	DISCHARGE AUGER SHAFT
12	NSS	2	BEARING LOCK COLLAR	38	103040	2	SNAP RING
13	19083	1	KEY	*39	102980	1	HYDRAULIC MOTOR
14	101845	1	SPROCKET				

NOTE: *1, *5 - WHEN ORDERING A NEW DISCHARGE, HANGER PLATE, AUGER, AUGER FLIGHTING, BOTTOM, OR LINERS, MEASURE DISCHARGE LENGTH. MEASUREMENTS ARE TAKEN FROM UNDER EITHER AUGER, FROM THE BACK PLATE TO THE END (WHERE CHUTE BEGINS). SEE PAGE 51 FOR VISUAL REFERENCE.

*39 - USE TRW ROSS HYDRAULIC MOTOR #102980 AS PRIMARY MOTOR. CHAR-LYNN #101705 MAY BE USED IF NECESSARY.

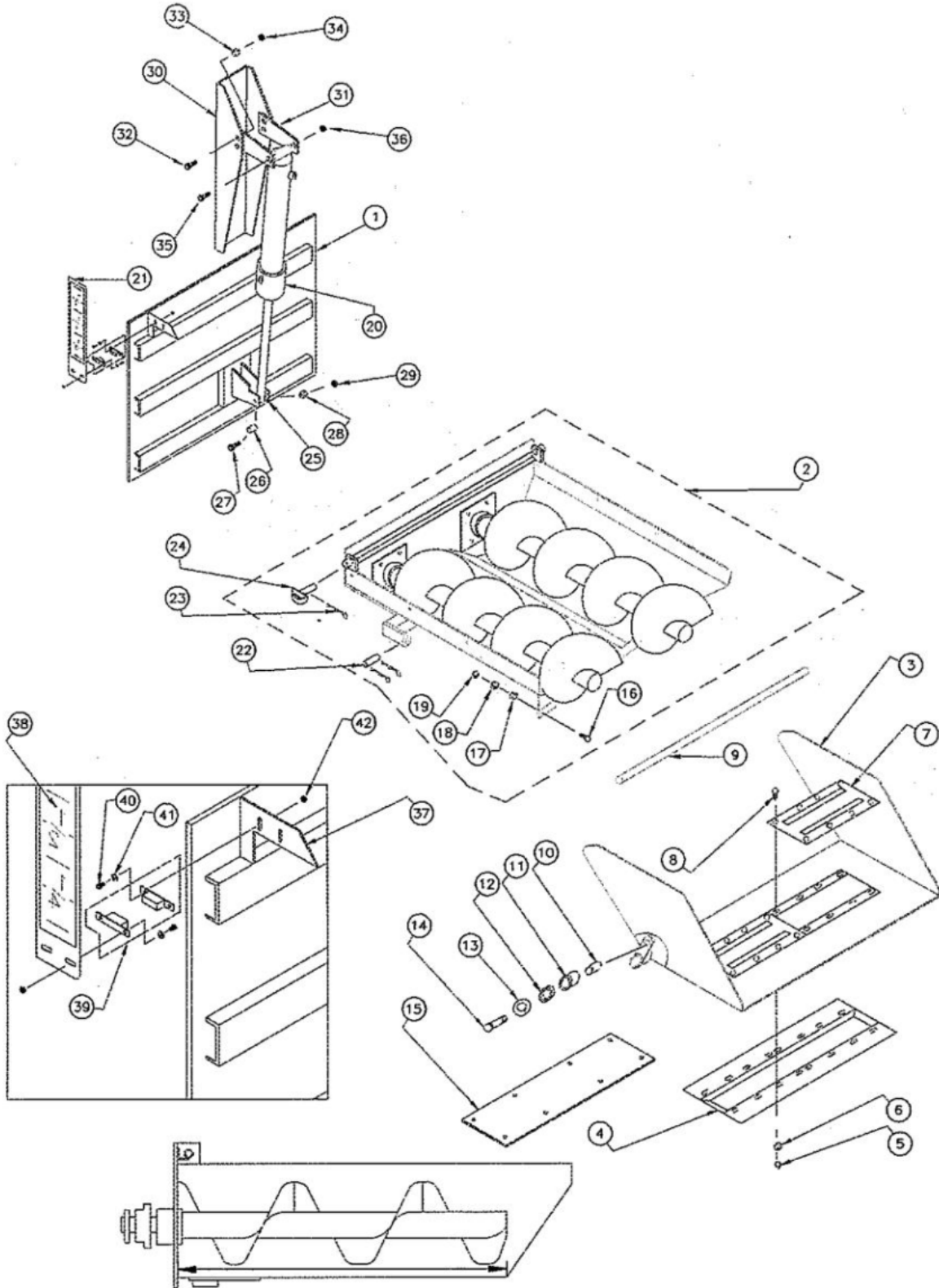
*8 - SOLD IN SETS ONLY

AR - AS REQUIRED

NPN - NO PART NUMBER

NSS - NOT SOLD SEPARATELY

Discharge (Dual Auger W/ Door Assembly)



DISCHARGE LENGTH IS MEASURED BETWEEN THESE POINTS.

Discharge (Dual Auger W/ Door Assembly)

ITEM	PART #	QTY	DESCRIPTION	ITEM	PART #	QTY	DESCRIPTION
1	16026	1	DISCHARGE DOOR	22	14533	1	CYLINDER PIN
*2	17982	1	DISCHARGE ASS'Y (27.5")	23	101018	4	CLIP, HAIR PIN
*2	17992	1	DISCHARGE ASS'Y (34.5")	24	A15285	2	DISCHARGE HINGE PULL PIN
*2	17997	1	DISCHARGE ASS'Y (42.5")	25	18291	2	DISCHARGE DOOR CYLINDER MOUNT
3	A17988	1	DROP CHUTE WITH MAGNET GUARD	26	16032	1	BUSHING
4	A15622	1	MAGNET GUARD	27	101895	1	SCREW
5	100297	16	NUT	28	100713	1	FLAT WASHER
6	100170	16	LOCK WASHER	29	100297	2	NUT
7	100985	2	MAGNET 18"	30	19059	1	TUB CYLINDER MOUNT
8	102283	16	SCREW	31	19061	2	BOLT-ON CYLINDER MOUNT
9	14572	1	SHAFT, HINGE	32	100226	4	SCREW
10	14453	1	TUBE, CYL. MNT. HINGE	33	100272	4	LOCK WASHER
11	14573	1	BUSHING LONG	34	100250	4	NUT
12	14574	1	BUSHING SHORT	35	101443	1	SCREW
13	100272	1	LOCK WASHER	36	101009	1	NUT
14	100796	1	SCREW	37	15952	1	DOOR POSITION POINTER
15	16792	1	COVER, MAGNET GUARD	38	101181	1	DOOR GUAGE DECAL, TRUCK
16	100240	7	SCREW	38	101992	1	DOOR GUAGE DECAL, TRAILER
17	100300	7	FLAT WASHER	39	102401	2	MAGNETIC SWITCH
18	100271	7	LOCK WASHER	40	100175	4	SCREW
19	100254	7	NUT	41	102254	4	WASHER
20	17366	1	DISCHARGE DOOR CYLINDER	42	102253	4	NUT
21	15953	1	BAR, DOOR POSITION				

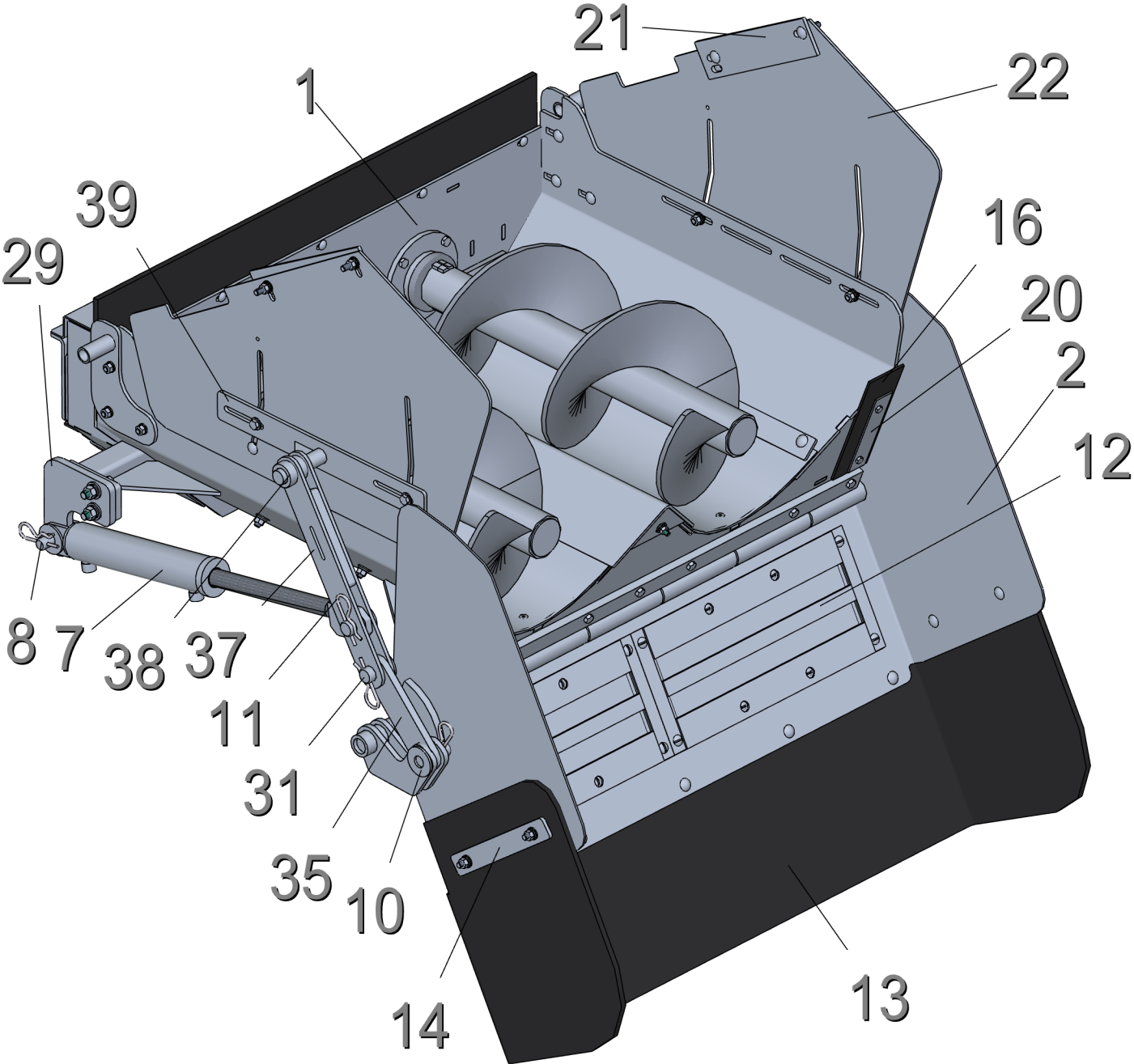
NOTE:

*2 WHEN ORDERING A NEW DISCHARGE, HANGER PLATE, AUGER, AUGER FLIGHTING, BOTTOM, OR LINERS; MEASURE DISCHARGE LENGTH. MEASUREMENTS ARE TAKEN FROM UNDER EITHER AUGER, FROM THE BACK PLATE TO THE END (WHERE CHUTE BEGINS). SEE ILLUSTRATION ON PAGE 51.

*2 DISCHARGE INCLUDES CHAINS, SPROCKETS, BEARINGS, AND HYDRAULIC MOTOR (SEE PAGE 50, ITEM 39). IT DOES NOT INCLUDE DROP CHUTE CYLINDER (SEE PAGE 67 ITEM 38 OR PAGE 74).

Discharge (Dual Auger W/ Bearing Housing)

Discharge Group, Dual Short 300's W/ Bearing Housing - A8560



Discharge (Dual Auger W/ Bearing Housing)

#	Part Number	Title	Quantity
1	A24736	DISCH ASS'Y, 300'S DUAL - SHORT W/ BEARING HOUSING	1
2	A22388	DROP CHUTE ASS'Y, DUAL -NEW	1
3	102283	SCREW,TRUSS HEAD, 5/16-18 UNC x 3/4 GR 2	16
4	100297	NUT, HEX 5/16	16
5	100170	WASHER, LOCK 5/16	16
6	100713	WASHER, FLAT 5/16	16
7	A22384	CYLINDER ASS'Y, DROP CHUTE -NEW	1
8	A21476	PIN ASSY, HEIGHT CONTROL	1
9	A22203	PIN ASSEMBLY, 1" X 2 3/8" LG.	1
10	100556	WASHER, 3/4 FLAT	1
11	101018	CLIP, HAIR PIN	4
12	100985	MAGNET, 8 X 18 1/2	2
13	21545	RUBBER MAT, DROP CHUTE SPOUT, SHORT	1
14	21569	BAR, FLAT 1/4" SM SUPPORT	2
15	21556	BAR, RUBBER MAT SUPPORT	1
16	20935	SHIELD, DISCHARGE WING	2
17	101716	SCREW, HX HD CAP 3/8-16 UNC X 1 1/4	9
18	100254	NUT, HEX 3/8 -16 UNC GR 5	26
19	100271	WASHER, LOCK 3/8"	26
20	20936	SHIELD PLATE, DISCHARGE WING	2
21	16078	BAR, SPACER 1/4 X 2 1/2 X 11	2
22	19665	DISCHARGE HANGER SHORT (300'S ONLY)	2
23	101996	SCREW, CARRIAGE HD 3/8-16 UNC X 1 1/2 GR5	13
24	103795	NUT, HEX 1/2-13	2
25	100300	WASHER, FLAT 3/8" USS	21
26	100838	WASHER, 1/2 FLAT	2
27	100272	WASHER, 1/2 LOCK	2
28	103846	SCREW, HX HD CAP 1/2 -13 UNC X 2	2
29	22606	DROP CHUTE CYL MOUNT (BOLTED)	1

Discharge (Dual Auger W/ Bearing Housing)

#	Part Number	Title	Quantity
30	102096	SCREW, CARRIAGE HD 3/8-16 X 1 GR 5	4
31	A23191	PIN ASSEMBLY, 1" DIA. X 1 5/8" LONG	2
32	100858	SCREW, HX HD CAP 1/4-20 X 1	4
33	100443	WASHER FLAT, 1/4"	4
34	100304	WASHER, LOCK 1/4 CADMIUM PLATED	4
35	22795	LINKAGE, DROP CHUTE CYLINDER (SHORT)	1
36	100221	NUT, HEX, 1/4-20 UNC GR 5	4
37	A23189	DROP CHUTE LINKAGE ASSEMBLY	1
38	101829	COLLAR, SET SCREW 1 ID X 1 5/8 OD	2
39	A22609	LINKAGE MOUNT PLATE ASS'Y - SHORT	1

NOTE:

The 300's series discharge with is available as a dual auger or triple auger setup, with a short or a medium discharge length. For more part information contact your Harsh International dealer or our front desk at (970) 454-2291.

Part Reference Numbers:

Discharge Group, 300's Dual Short W/ Bearing Housing - A8560

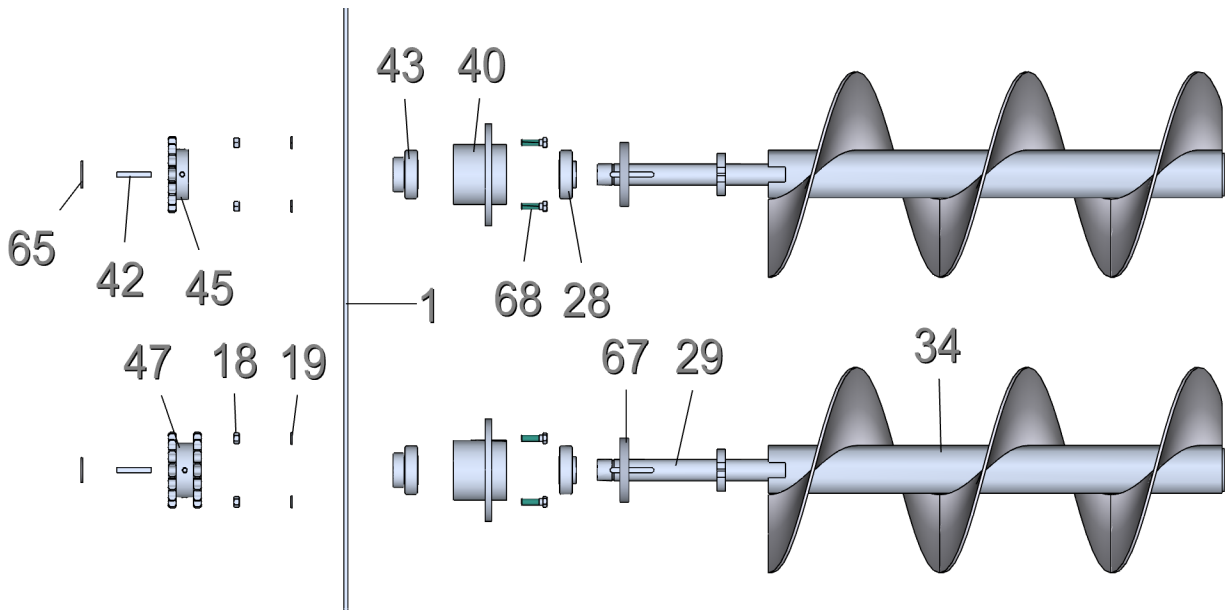
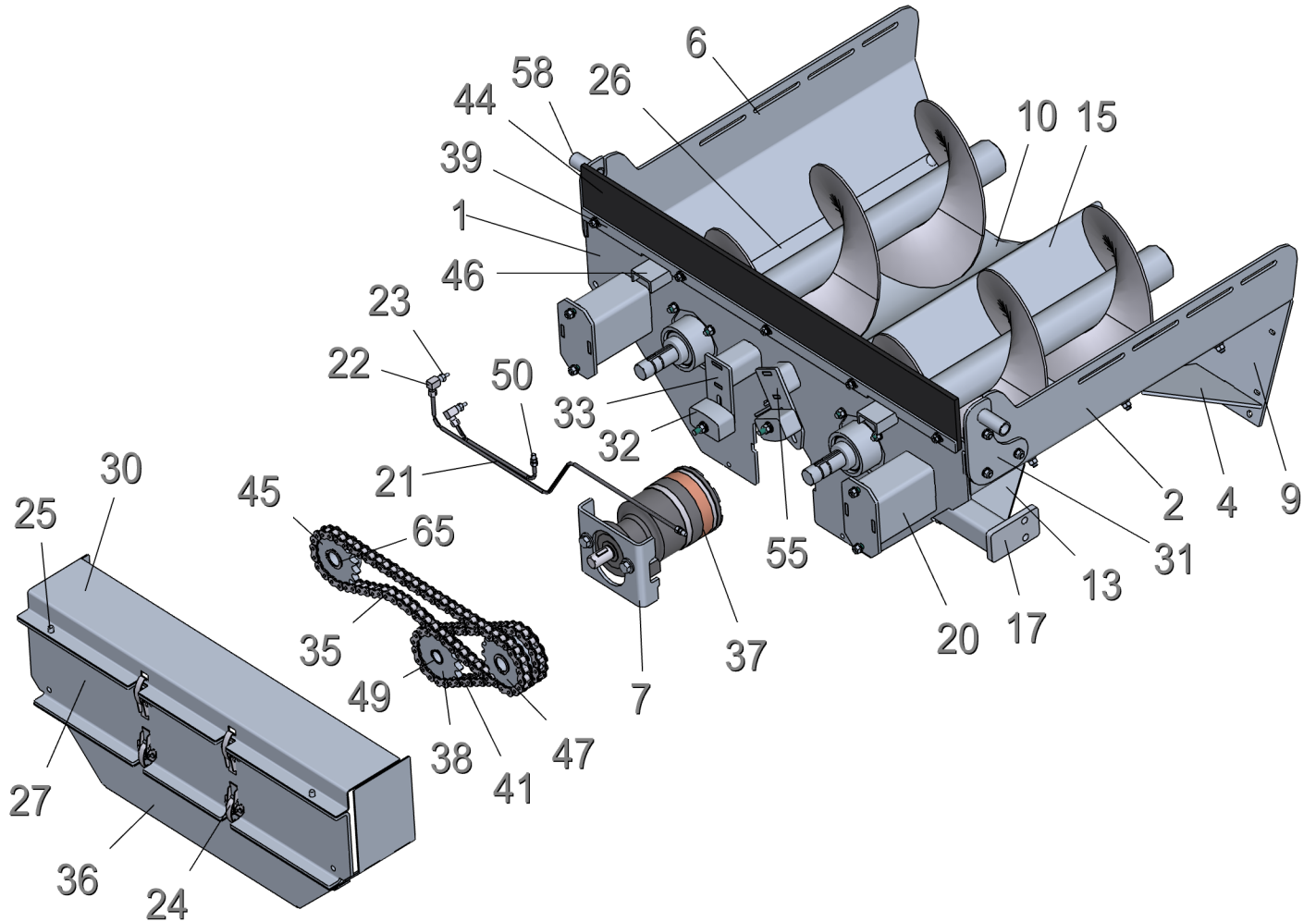
Discharge Group, 300's Dual Medium W/ Bearing Housing - A8562

Discharge Group, 300's Triple Short W/ Bearing Housing - A8561

Discharge Group, 300's Triple Medium W/ Bearing Housing - A8563

Discharge (Dual Auger W/ Bearing Housing)

Discharge Assembly, 300'S Dual Short W/ Bearing Housing - A24736



Discharge (Dual Auger W/ Bearing Housing)

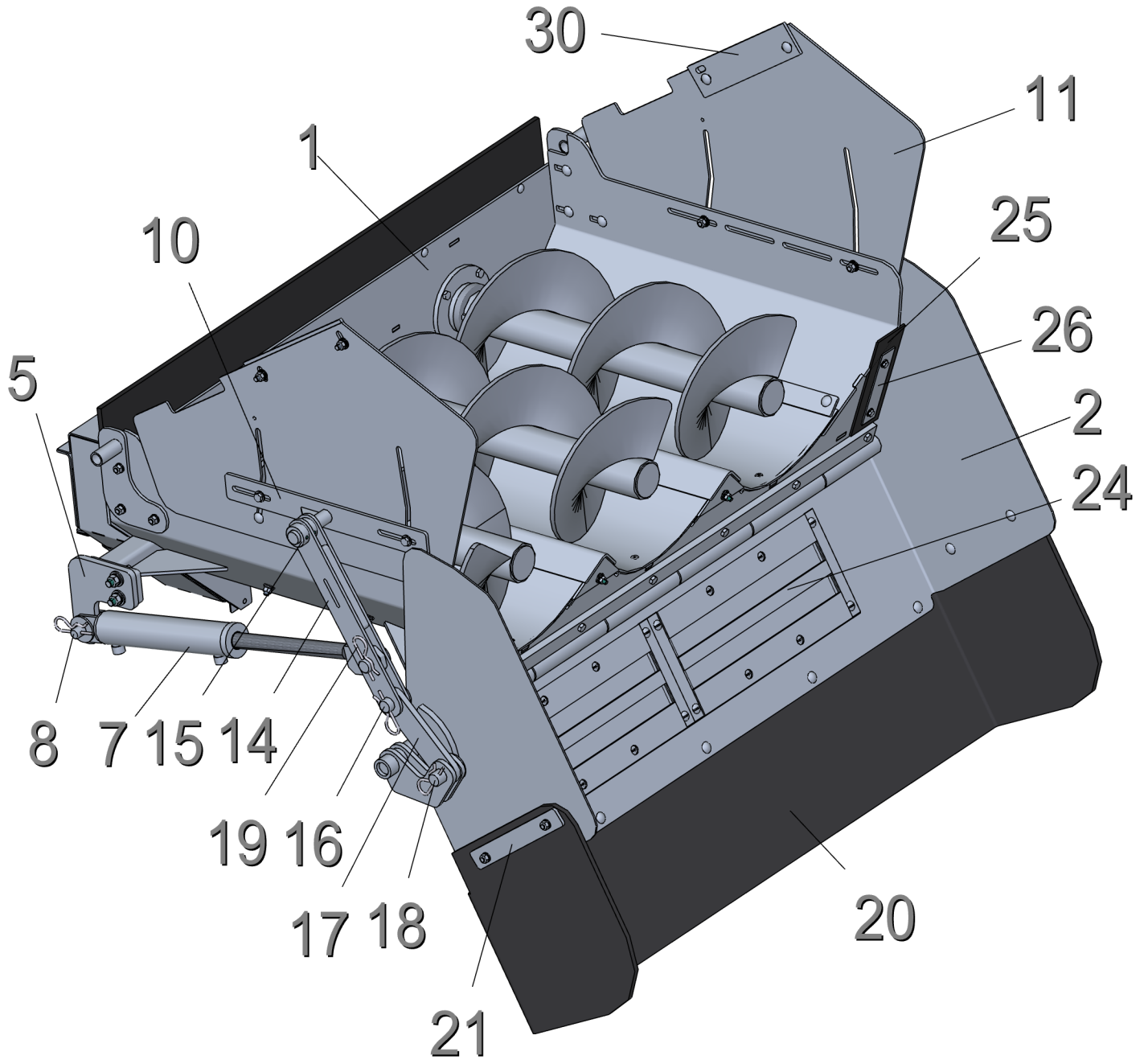
#	Part Number	Title	Quantity
1	24733	BACKPLATE, DUAL W/ BEARING HOUSING	1
2	22300	SIDE, DISCH-RIGHT-300'S-SHORT	1
3	100230	SCREW, HX HD CAP 1/2 -20 UNF X 2	2
4	22059	GUSSET, DISCH FRONT PLATE	2
5	100250	NUT, HEX 1/2-20 UNF	2
6	22299	SIDE, DISCH-LEFT-300'S-SHORT	1
7	23373	CHANNEL, DISCH MOTOR MNT - DUAL W/HOLES	1
8	22142	ANGLE, DISCH AUGER BOTTOM (DUAL)	1
9	22143	FRONT PLATE, DISCHARGE - DUAL	1
10	21991	AUGER BOTTOM, DISCHARGE -SHORT	2
11	100272	WASHER, 1/2 LOCK	2
12	104207	SCREW, CARRIAGE HD 3/8-16 X 2 3/4 GR 5	2
13	16348	GUSSET, 1/4 X 4 1/2 X 6	1
14	100838	WASHER, 1/2 FLAT	2
15	A22145	FORMED PEAK ASS'Y (DUAL)	1
16	100300	WASHER, FLAT 3/8" USS	10
17	A21995	DISCH CYLINDER MNT ASSY (NEW)	1
18	100254	NUT, HEX 3/8 -16 UNC GR 5	28
19	100271	WASHER, LOCK 3/8"	28
20	A23161	BEARING CHANNEL MNT ASS'Y-300'S	2
21	6060000	GREASE LINE	1
22	102797	FITTING,COMPRESSION, 1/8 NPT (F) 1/4x90deg	2
23	102454	GREASE FITTING, 1/8 NPT (F)	2
24	103560	OVERCENTER LATCH	4
25	101818	PIN, DOWEL 3/8 X 3/4 LG	4
26	22002	STRAP, DISCHARGE BOTTOM	2
27	24734	CHANNEL, DUAL END PLATE	1
28	16818	BEARING, 1 1/4 ID WITH 1 SEAL REMOVED (w/o collar)	2
29	A24652	DISCHARGE AUGER SHAFT ASS'Y - BEARING HOUSING	2
30	22301	GUARD, DISCH CHAIN-UPPER-300'S-DUAL	1
31	A22152	DISCHARGE MOUNT ASS'Y (RIGHT)	1
32	22132	UHMW TENSION BLOCK	2
33	A22127	CHAIN STAND-OFF ASS'Y (LONG)	1
34	A22011	DISCH AUGER ASS'Y -SHORT (NEW)	2

Discharge (Dual Auger W/ Bearing Housing)

#	Part Number	Title	Quantity
35	104209	CHAIN, #60 64 PITCHES AND CONNECTOR	1
36	24735	GUARD, DISCH CHAIN-LOWER-300'S-DUAL W/CUTOUT	1
37	102980	MOTOR, ROSS HYDRAULIC	1
38	102128	SPROCKET, H60B17 1" BORE SPECIAL HUB	1
39	22153	STRAP, BACKPLATE FILLER (DUAL)	1
40	A14590	AUGER BEARING HOUSING ASS'Y	2
41	104208	CHAIN, #60 44 PITCHES AND CONN LINK	1
42	16340	KEY, SQ. 5/16 X 2 LG.	2
43	16818	BEARING, 1 1/4 ID WITH 1 SEAL REMOVED	2
44	21896	FILLER, DISCHARGE BACKPLATE (DUAL)	1
45	101845	SPROCKET, H60B17 -1 1/4 BORE W/KEY	1
46	22149	SUPPORT, CHAIN GUARD	2
47	102778	SPROCKET, DSH60A17 W/ 1 1/4 BORE	1
48	6060000	GREASE LINE	1
49	103794	SNAP RING, 1" SHAFT	1
50	102759	FITTING, COMPRESSION 1/8 NPT (M) X 1/4 STR.	2
51	101846	SCREW, HX HD CAP 3/8 - 16 X 1	4
52	104108	HX HD SCREW, #10-24 X .75	8
53	104107	WASHER, LOCK #10	8
54	102639	NUT, #10 -24	8
55	A22130	CHAIN STAND-OFF ASS'Y (SHORT)	1
56	102096	SCREW, CARRIAGE HD 3/8-16 X 1 GR 5	6
57	17874	TAB, DISCHARGE TENSIONER	2
58	A22154	DISCHARGE MOUNT ASS'Y (LEFT)	1
59	104189	SCREW, CARRIAGE HD 5/16-18 X 1 1/4	5
60	100713	WASHER, FLAT 5/16	9
61	104164	SCREW, 3/8-16 X 1 1/4 CARRIAGE	8
62	100170	WASHER, LOCK 5/16	8
63	104256	SCREW, SOCKET HD 5/16-18 X 1	2
64	100297	NUT, HEX 5/16	8
65	103040	SNAP RING, 1-1/4" SHAFT	2
66	300892C	SCREW, HX HD CAP 5/16-18 X 1 1/4	1
67	16608	CAP, DISCHARGE BEARING 3 3/4 OD X 1 1/4 ID	2
68	101716	SCREW, HX HD CAP 3/8-16 UNC X 1 1/4	8

Discharge (Triple Auger W/Bearing Housing)

Discharge Group, Triple Short 300's W/ Bearing Housing - A8561



Discharge (Triple Auger W/Bearing Housing)

#	Part Number	Title	Quantity
1	A24732	DISCH ASS'Y, 300'S TRIPLE SHORT W/BEARING HOUSING	1
2	A22387	DROP CHUTE ASS'Y, TRIPLE -NEW	1
3	100271	WASHER, LOCK 3/8"	26
4	100254	NUT, HEX 3/8 -16 UNC GR 5	26
5	22606	DROP CHUTE CYL MOUNT (BOLTED)	1
6	104164	SCREW, 3/8-16 X 1 1/4 CARRIAGE	9
7	A22384	CYLINDER ASS'Y, DROP CHUTE -NEW	1
8	A21476	PIN ASSY, HEIGHT CONTROL	1
9	100556	WASHER, 3/4 FLAT	1
10	A22609	LINKAGE MOUNT PLATE ASS'Y - SHORT	1
11	19665	DISCHARGE HANGER SHORT (300'S ONLY)	2
12	100300	WASHER, FLAT 3/8" USS	12
13	101716	SCREW, HX HD CAP 3/8-16 UNC X 1 1/4	9
14	A23189	DROP CHUTE LINKAGE ASSEMBLY	1
15	101829	COLLAR, SET SCREW 1 ID X 1 5/8 OD	2
16	A23191	PIN ASSEMBLY, 1" DIA. X 1 5/8" LONG	2
17	22795	LINKAGE, DROP CHUTE CYLINDER (SHORT)	1
18	A22203	PIN ASSEMBLY, 1" X 2 3/8" LG.	1
19	101018	CLIP, HAIR PIN	4
20	21592	RUBBER MAT, DROP CHUTE SPOUT, SHORT,TRIPLE	1
21	21569	BAR, FLAT 1/4" SM SUPPORT	2
22	21594	BAR, FLAT, 1/4" RUBBER MAT SUPPORT	1
23	102096	SCREW, CARRIAGE HD 3/8-16 X 1 GR 5	4
24	100985	MAGNET, 8 X 18 1/2	2
25	20935	SHIELD, DISCHARGE WING	2
26	20936	SHIELD PLATE, DISCHARGE WING	2
27	103795	NUT, HEX 1/2-13	2
28	100272	WASHER, 1/2 LOCK	2
29	100838	WASHER, 1/2 FLAT	2

Discharge (Triple Auger W/Bearing Housing)

#	Part Number	Title	Quantity
30	16078	BAR, SPACER 1/4 X 2 1/2 X 11	2
31	103846	SCREW, HX HD CAP 1/2 -13 UNC X 2	2
32	102283	SCREW, TRUSS HEAD, 5/16-18 UNC x 3/4 GR 2	16
33	100713	WASHER, FLAT 5/16	16
34	100170	WASHER, LOCK 5/16	16
35	100297	NUT, HEX 5/16	16
36	100443	WASHER FLAT, 1/4"	8
37	100304	WASHER, LOCK 1/4 CADMIUM PLATED	4
38	100858	SCREW, HX HD CAP 1/4-20 X 1	4
39	100221	NUT, HEX, 1/4-20 UNC GR 5	4
40	101996	SCREW, CARRIAGE HD 3/8-16 UNC X 1 1/2 GR5	4

NOTE:

The 300's series discharge with is available as a dual auger or triple auger setup, with a short or a medium discharge length. For more part information contact your Harsh International dealer or our front desk at (970) 454-2291.

Part Reference Numbers:

Discharge Group, 300's Dual Short W/ Bearing Housing - A8560

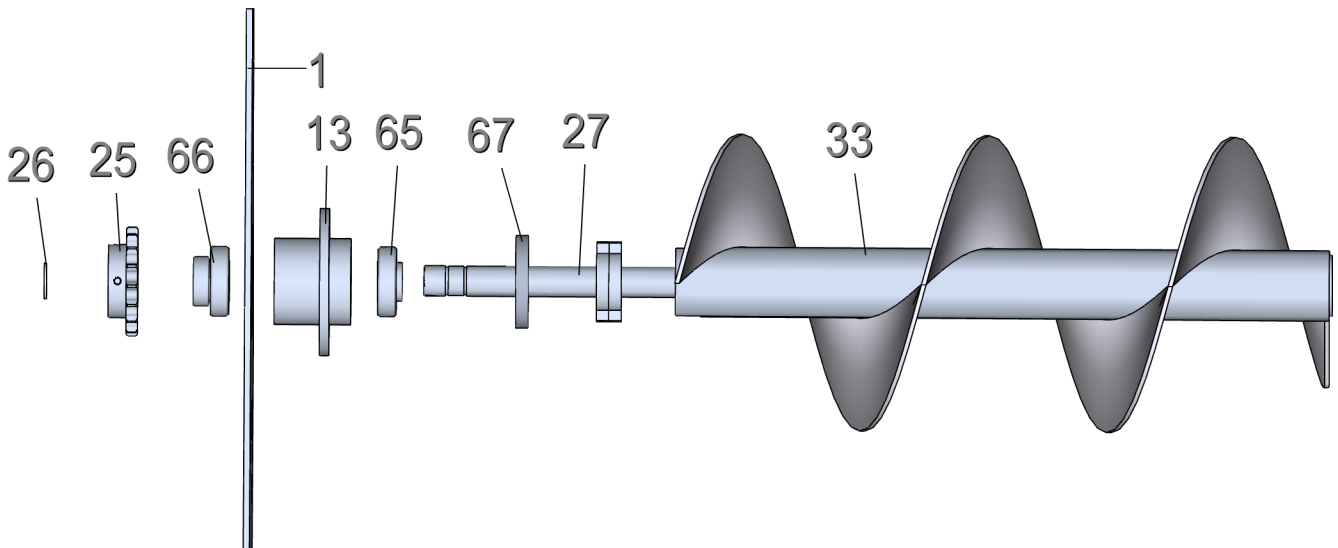
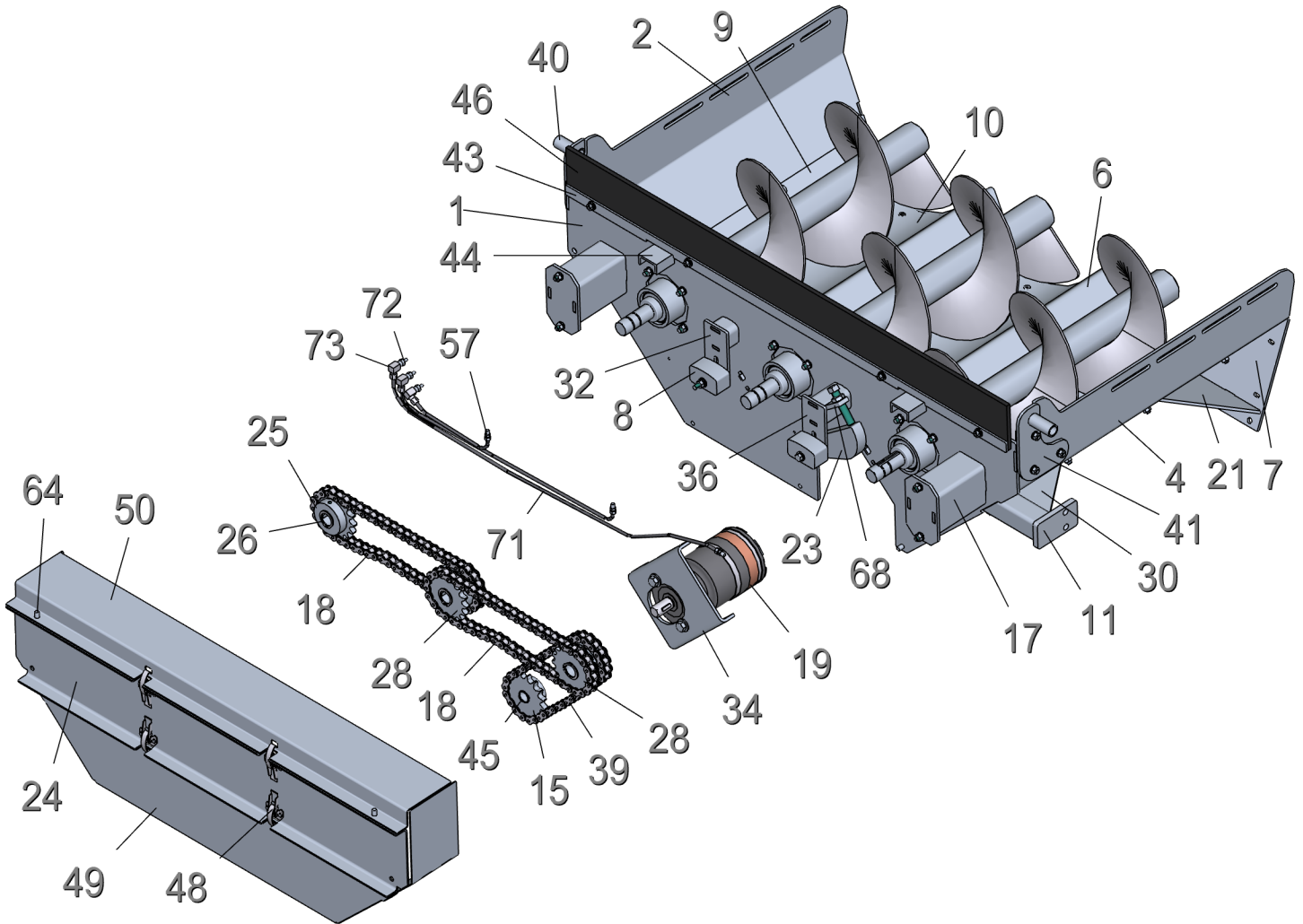
Discharge Group, 300's Dual Medium W/ Bearing Housing - A8562

Discharge Group, 300's Triple Short W/ Bearing Housing - A8561

Discharge Group, 300's Triple Medium W/ Bearing Housing - A8563

Discharge (Triple Auger W/Bearing Housing)

Discharge Assembly, 300'S Triple Short W/ Bearing Housing - A24732



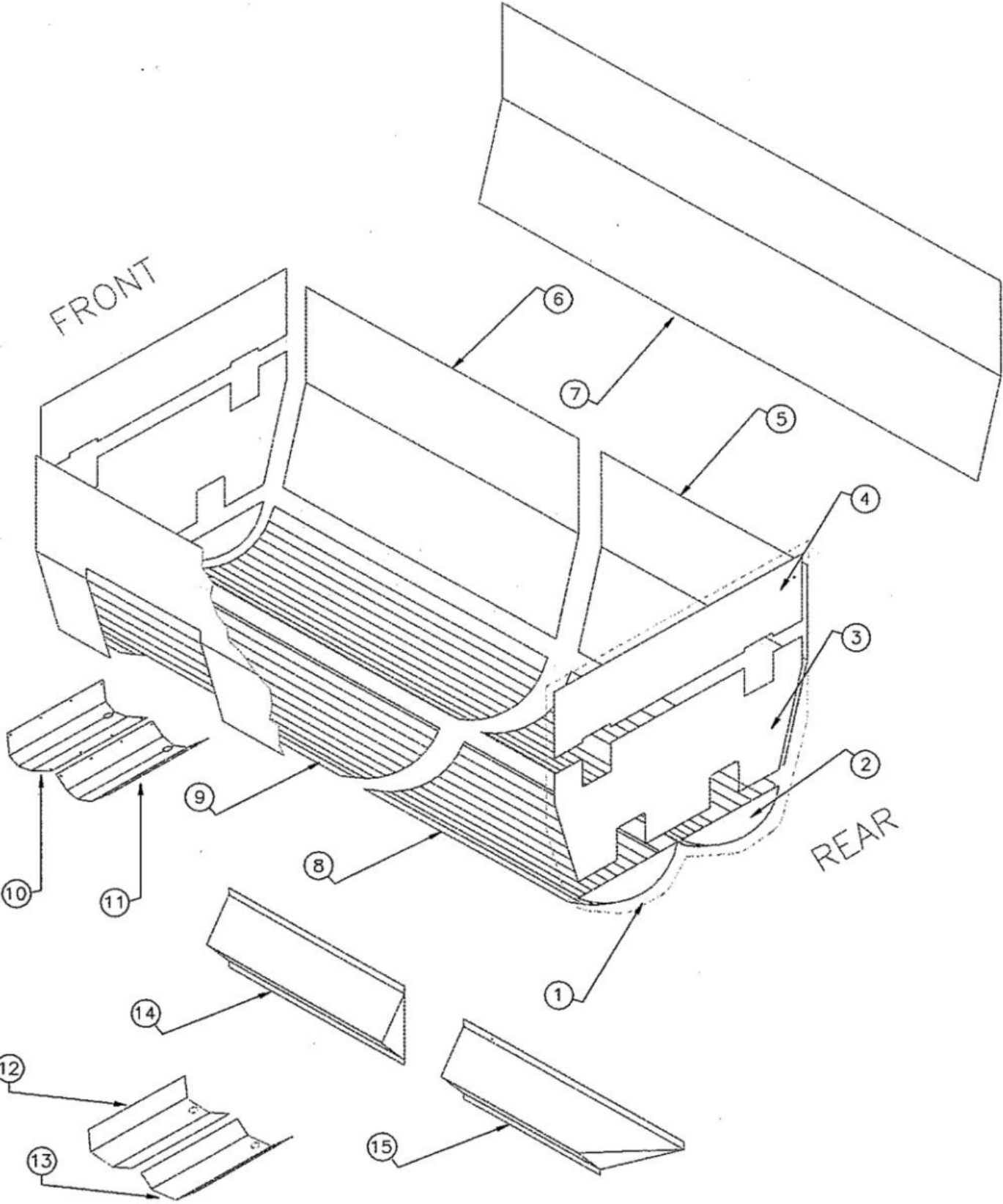
Discharge (Triple Auger W/Bearing Housing)

#	Part Number	Title	Quantity
1	24640	BACKPLATE, TRIPLE W/ BEARING HOUSING	1
2	22299	SIDE, DISCH-LEFT-300'S-SHORT	1
3	100271	WASHER, LOCK 3/8"	32
4	22300	SIDE, DISCH-RIGHT-300'S-SHORT	1
5	17874	TAB, DISCHARGE TENSIONER	3
6	A22019	FORMED PEAK ASSEMBLY (TRIPLE)	2
7	21989	FRONT PLATE, DISCHARGE -TRIPLE	1
8	22132	UHMW TENSION BLOCK	2
9	22002	STRAP, DISCHARGE BOTTOM	2
10	21991	AUGER BOTTOM, DISCHARGE -SHORT	3
11	A21995	DISCH CYLINDER MNT ASSY (NEW)	1
12	100713	WASHER, FLAT 5/16	11
13	A14590	AUGER BEARING HOUSING ASS'Y	3
14	104164	SCREW, 3/8-16 X 1 1/4 CARRIAGE	8
15	102128	SPROCKET, H60B17 1" BORE SPECIAL HUB	1
16	100254	NUT, HEX 3/8 -16 UNC GR 5	32
17	A23161	BEARING CHANNEL MNT ASS'Y-300'S	2
18	102764	CHAIN, #60 -54P AND CONN LINK	2
19	102980	MOTOR, ROSS HYDRAULIC	1
20	21992	ANGLE, DISCHARGE AUGER BOTTOM	2
21	22059	GUSSET, DISCH FRONT PLATE	2
22	104256	SCREW, SOCKET HD 5/16-18 X 1	3
23	23178	TENSIONER, DISCH MOTOR - TRIPLE	1
24	24655	CHANNEL, TRIPLE END PLATE	1
25	101845	SPROCKET, H60B17 -1 1/4 BORE W/KEY	1
26	103040	SNAP RING, 1-1/4" SHAFT	3
27	A24652	DISCHARGE AUGER SHAFT ASS'Y - BEARING HOUSING	3
28	102778	SPROCKET, DSH60A17 W/ 1 1/4 BORE	2
29	100170	WASHER, LOCK 5/16	9
30	16348	GUSSET, 1/4 X 4 1/2 X 6	1
31	300892C	SCREW, HX HD CAP 5/16-18 X 1 1/4	2
32	A22130	CHAIN STAND-OFF ASS'Y (SHORT)	1
33	A22011	DISCH AUGER ASS'Y -SHORT (NEW)	3
34	23372	CHANNEL, DISCH MOTOR MNT - TRIPLE	1
35	100297	NUT, HEX 5/16	9
36	A22127	CHAIN STAND-OFF ASS'Y (LONG)	1
37	19083	KEY, SQ 5/16 X 1 1/16	1

Discharge (Triple Auger W/Bearing Housing)

#	Part Number	Title	Quantity
38	16340	KEY, SQ. 5/16 X 2 LG.	2
39	102765	CHAIN, #60 -42P AND CONN LINK	1
40	A22154	DISCHARGE MOUNT ASS'Y (LEFT)	1
41	A22152	DISCHARGE MOUNT ASS'Y (RIGHT)	1
42	101716	SCREW, HX HD CAP 3/8-16 UNC X 1 1/4	12
43	22021	STRAP, BACKPLATE FILLER (TRIPLE)	1
44	22149	SUPPORT, CHAIN GUARD	2
45	103794	SNAP RING, 1" SHAFT	1
46	22014	FILLER, DISCHARGE BACKPLATE (TRIPLE)	1
47	100300	WASHER, FLAT 3/8" USS	11
48	103560	OVERCENTER LATCH	4
49	23318	GUARD, DISCH CHAIN (LOWER)-300'S TRIPLE	1
50	23374	GUARD, DISCH CHAIN (UPPER)-300'S TRIPLE	1
51	104207	SCREW, CARRIAGE HD 3/8-16 X 2 3/4 GR 5	1
52	101661	SCREW, HX HD CAP 3/8-16 X 4	1
53	101846	SCREW, HX HD CAP 3/8 - 16 X 1	4
54	100838	WASHER, 1/2 FLAT	2
55	100230	SCREW, HX HD CAP 1/2 -20 UNF X 2	2
56	100272	WASHER, 1/2 LOCK	2
57	102759	FITTING, COMPRESSION 1/8 NPT (M) X 1/4 STR.	3
58	100250	NUT, HEX 1/2-20 UNF	2
59	104108	HX HD SCREW, #10-24 X .75	8
60	104107	WASHER, LOCK #10	8
61	102639	NUT, #10 -24	8
62	102096	SCREW, CARRIAGE HD 3/8-16 X 1 GR 5	6
63	104189	SCREW, CARRIAGE HD 5/16-18 X 1 1/4	4
64	101818	PIN, DOWEL 3/8 X 3/4 LG	5
65	16818	BEARING, 1 1/4 ID WITH 1 SEAL REMOVED (w/o collar)	3
66	16818	BEARING, 1 1/4 ID WITH 1 SEAL REMOVED	3
67	16608	CAP, DISCHARGE BEARING 3 3/4 OD X 1 1/4 ID	3
68	24699	TAB, DISCHARGE MOTOR CHAIN TENSIONER	1
69	103790	SQ HD SET SCREW 5/8-11 X 3 LG	1
70	104018	JAM NUT, 5/8-18 UNF GR 5	1
71	6060000	GREASE LINE	3
72	102454	GREASE FITTING, 1/8 NPT (F)	3
73	102797	FITTING, COMPRESSION, 1/8 NPT (F) 1/4x90deg	3

Liners



Liners

ITEM	PART #	QTY	DESCRIPTION	ITEM	PART #	QTY	DESCRIPTION
1	A9697	2	END LINER ASS'Y (STAINLESS STEEL)	*11	17245	1	DISCHARGE LINER RH (STAINLESS 27.5")
1	A9741	2	END LINER ASS'Y (MILD STEEL)	*11	15815	1	DISCHARGE LINER RH (STAINLESS 34.5")
2	9698	4	END LINER, BOTTOM (STAINLESS STEEL)	*11	16535	1	DISCHARGE LINER RH (STAINLESS 42.5")
2	9744	4	END LINER, BOTTOM (MILD STEEL)	*11	9570	1	DISCHARGE LINER RH (MILD 27.5")
3	9699	2	END LINER, MIDDLE (STAINLESS STEEL)	*11	9465	1	DISCHARGE LINER RH (MILD 34.5")
3	9743	2	END LINER, MIDDLE (MILD STEEL)	*11	9467	1	DISCHARGE LINER RH (MILD 42.5")
4	9700	2	END LINER, TOP (STAINLESS STEEL)	*12	17999	1	DISCHARGE LINER LH (STAINLESS 27.5")
4	9742	2	END LINER, TOP (MILD STEEL)	*12	18001	1	DISCHARGE LINER LH (STAINLESS 34.5")
5	9448	AR	SIDE LINER, 6 FT. (STAINLESS)	*12	18003	1	DISCHARGE LINER LH (STAINLESS 42.5")
5	9474	AR	SIDE LINER, 8 FT. (10 ga. MILD)	*12	18998	1	DISCHARGE LINER LH (MILD 27.5")
6	9449	AR	SIDE LINER, 8 FT. (STAINLESS)	*12	18985	1	DISCHARGE LINER LH (MILD 34.5")
6	9475	AR	SIDE LINER, 8 FT. (10 ga., MILD)	*12	18987	1	DISCHARGE LINER LH (MILD 42.5")
7	*15971	AR	FORMED SIDE, 12 FT. (7 ga., MILD)	*13	18000	1	DISCHARGE LINER RH (STAINLESS 27.5")
7	*16011	AR	FORMED SIDE, 14 FT. (7 ga., MILD)	*13	18002	1	DISCHARGE LINER RH (STAINLESS 34.5")
7	*17450	AR	FORMED SIDE, 16 FT. (7 ga., MILD)	*13	18004	1	DISCHARGE LINER RH (STAINLESS 42.5")
8	9509	AR	BOTTOM LINER 6 FT. (STAINLESS STEEL)	*13	18997	1	DISCHARGE LINER RH (MILD 27.5")
8	9510	AR	BOTTOM LINER 6 FT. (MILD STEEL)	*13	18984	1	DISCHARGE LINER RH (MILD 34.5")
9	9447	AR	BOTTOM LINER 8 FT. (STAINLESS STEEL)	*13	18986	1	DISCHARGE LINER RH (MILD 42.5")
9	9473	AR	BOTTOM LINER 8 FT. (MILD STEEL)	14	16678	1	HAYSHELF, 4 FT. (325)
*10	17244	1	DISCHARGE LINER LH (STAINLESS 27.5")	14	16678	2	HAYSHELF, 4 FT. (425)
*10	16347	1	DISCHARGE LINER LH (STAINLESS 34.5")	14	16676	1	HAYSHELF, 6 FT. (375)
*10	16534	1	DISCHARGE LINER LH (STAINLESS 42.5")	15	16672	1	HAYSHELF, 6 FT. (325-375-425)
*10	9569	1	DISCHARGE LINER LH (MILD 27.5")				
*10	9464	1	DISCHARGE LINER LH (MILD 34.5")				
*10	9466	1	DISCHARGE LINER LH (MILD 42.5")				

NOTE:

*15971, *16011, *17450 - USE FOR COMPLETE SIDE REPLACEMENT.

*10, *11 DUAL AUGER DISCHARGE - FORMED BOTTOM.

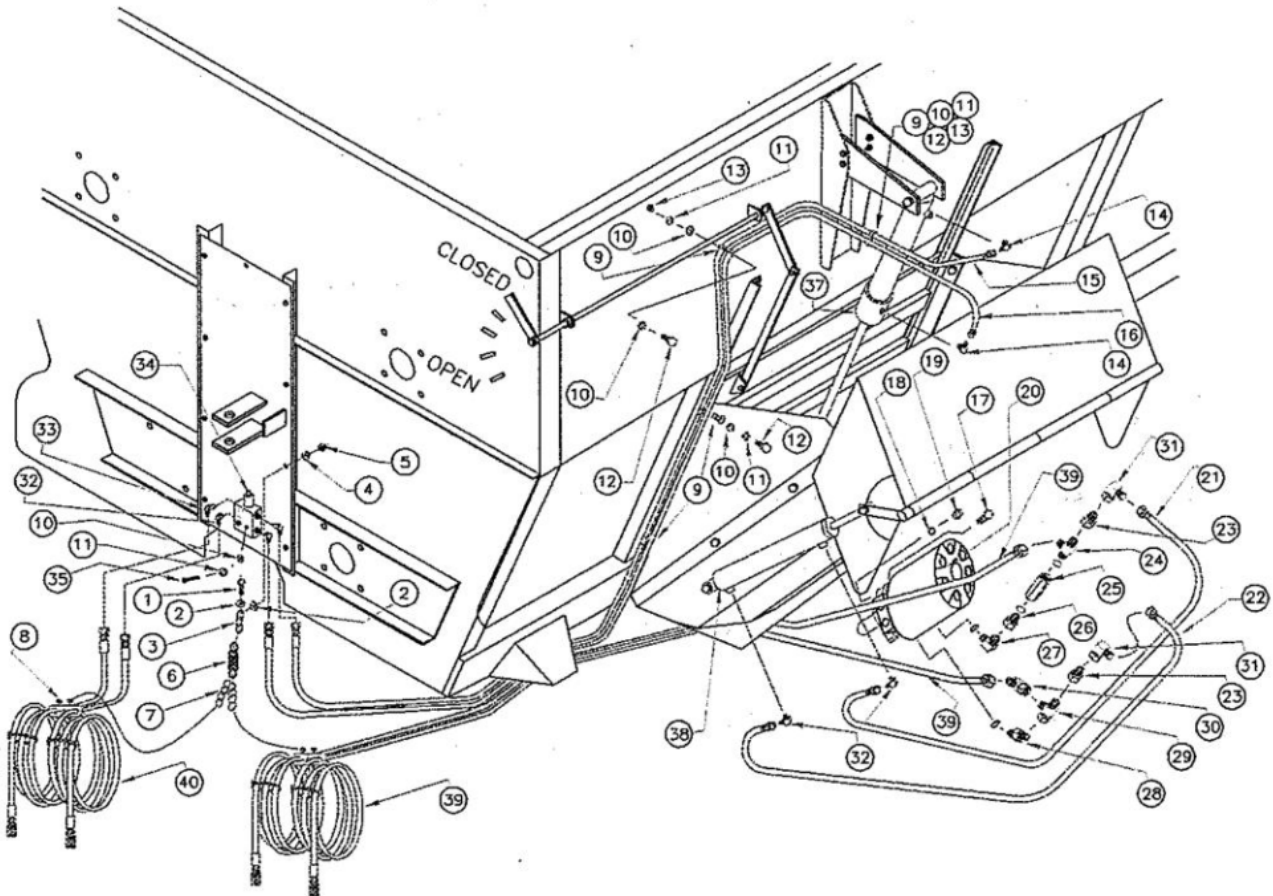
*12, *13 DUAL AUGER DISCHARGE - FLAT BOTTOM.

WHEN ORDERING NEW DISCHARGE LINERS MEASURE DISCHARGE LENGTH. MEASUREMENTS ARE TAKEN FROM UNDER EITHER AUGER, FROM THE BACK PLATE TO THE END (WHERE DROP CHUTE BEGINS). PLEASE REFER TO PAGE 51 FOR VISUAL REFERENCE.

AR - AS REQUIRED

NPN - NO PART NUMBER

Trailer Hydraulics



TRAILER HYDRAULICS

ITEM	PART #	QTY	DESCRIPTION	ITEM	PART #	QTY	DESCRIPTION
1	100240	1	SCREW	*21	NPN	1	1/4 x 36" HOSE 3250 psl (560-4)
2	100300	2	FLAT WASHER	*22	NPN	1	1/4 x 30" HOSE 3250 psi (560-4)
3	7070514	1	CHAIN 3 LINKS	23	102158	2	ADAPTER
4	100271	1	LOCK WASHER	24	102405	1	TEE
5	100254	1	NUT	25	102404	1	CHECK VALVE
6	100447	1	SPRING	26	102162	1	ADAPTER
7	7070514	1	CHAIN 7 LINKS	27	102403	1	90° ELBOW
8	102256	2	DOUBLE HOSE CLAMP	28	102161	1	ADAPTER
9	NPN	8	HOSE CLAMP (LAWSON 88232)	29	102141	1	TEE
10	100443	8	FLAT WASHER	30	102402	1	ELBOW
11	100304	4	LOCK WASHER	31	101937	2	ELBOW
12	101819	4	SCREW	32	101642	2	90° ELBOW
13	100221	2	NUT	33	101241	2	90° ELBOW, LONG NECK
14	102484	2	90° ELBOW	34	102952	1	RELIEF VALVE
*15	NPN	1	10' HOSE 3/8 100R1	35	NPN	2	SCREW (LAWSON 65006)
*16	NPN	1	12' HOSE 3/8 100R1	37	A17366	1	DISCHARGE DOOR CYLINDER
17	100226	2	SCREW	38	A17370	1	DROP CHUTE CYLINDER
18	100272	2	LOCK WASHER	*39	102168	2	13' HOSE 1/2 100R16
19	100250	2	NUT	*40	NPN	2	12' HOSE 3/8 100R1
*20	102980	1	HYDRAULIC MOTOR				

NOTE: *15, *16, *21, *22, *39, *40 - MEASURE THE LENGTH OF EACH HOSE BEFORE ORDERING.

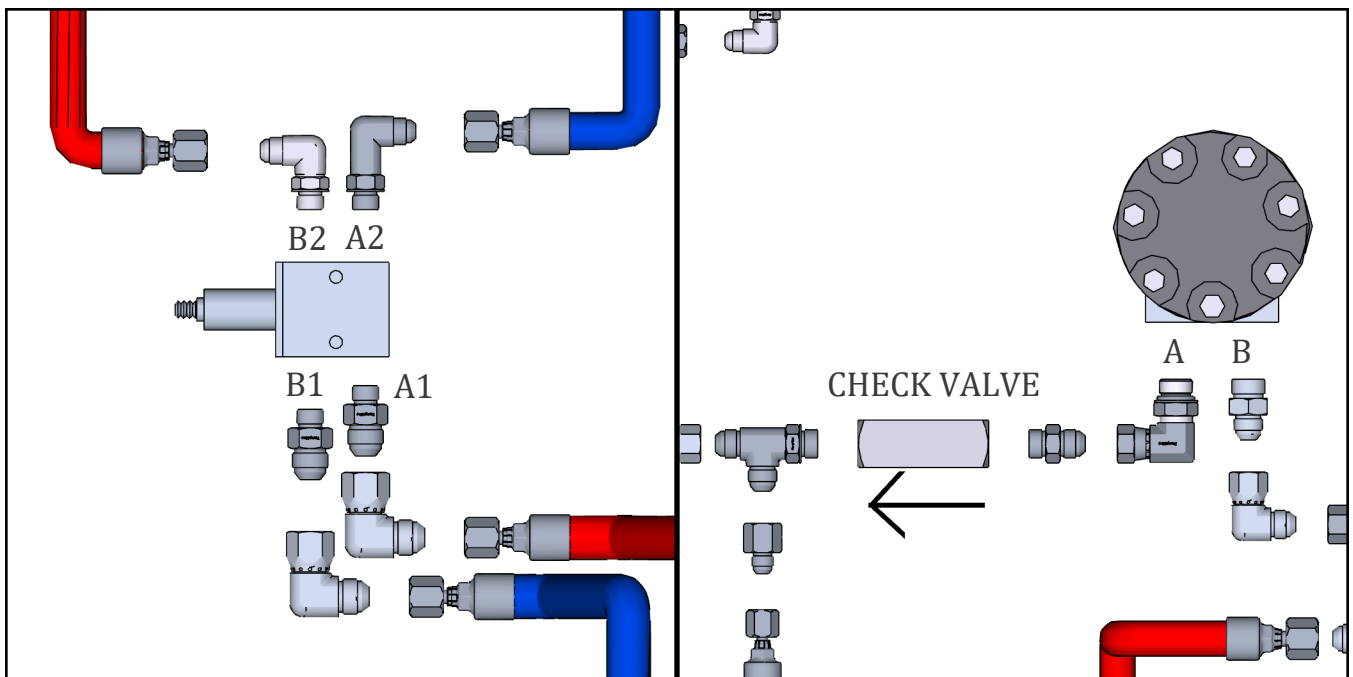
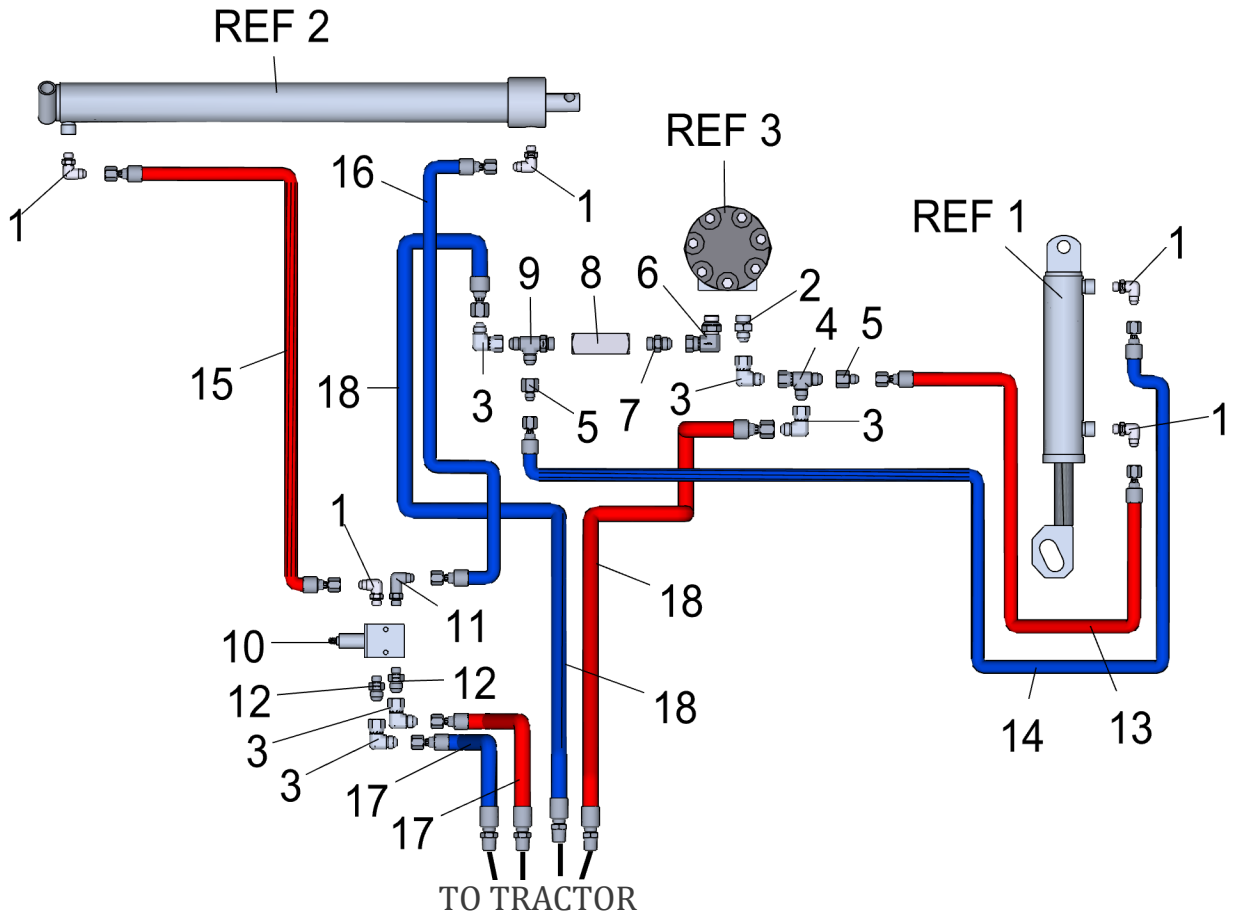
*15, *16, *40 - 3/8(100R1)2250 PSI; *21, *22 - 1/4(560-4)3250 PSI; *39 - 1/2(100R16)3250 PSI.

*20 - USE TRW ROSS HYD. MOTOR #102980 AS PRIMARY MOTOR. CHAR-LYNN #101705 MAY BE USED IF NECESSARY.

NPN - NO PART NUMBER

Trailer Hydraulics

Hydraulic Group. 300's Triple Trailer - A8509

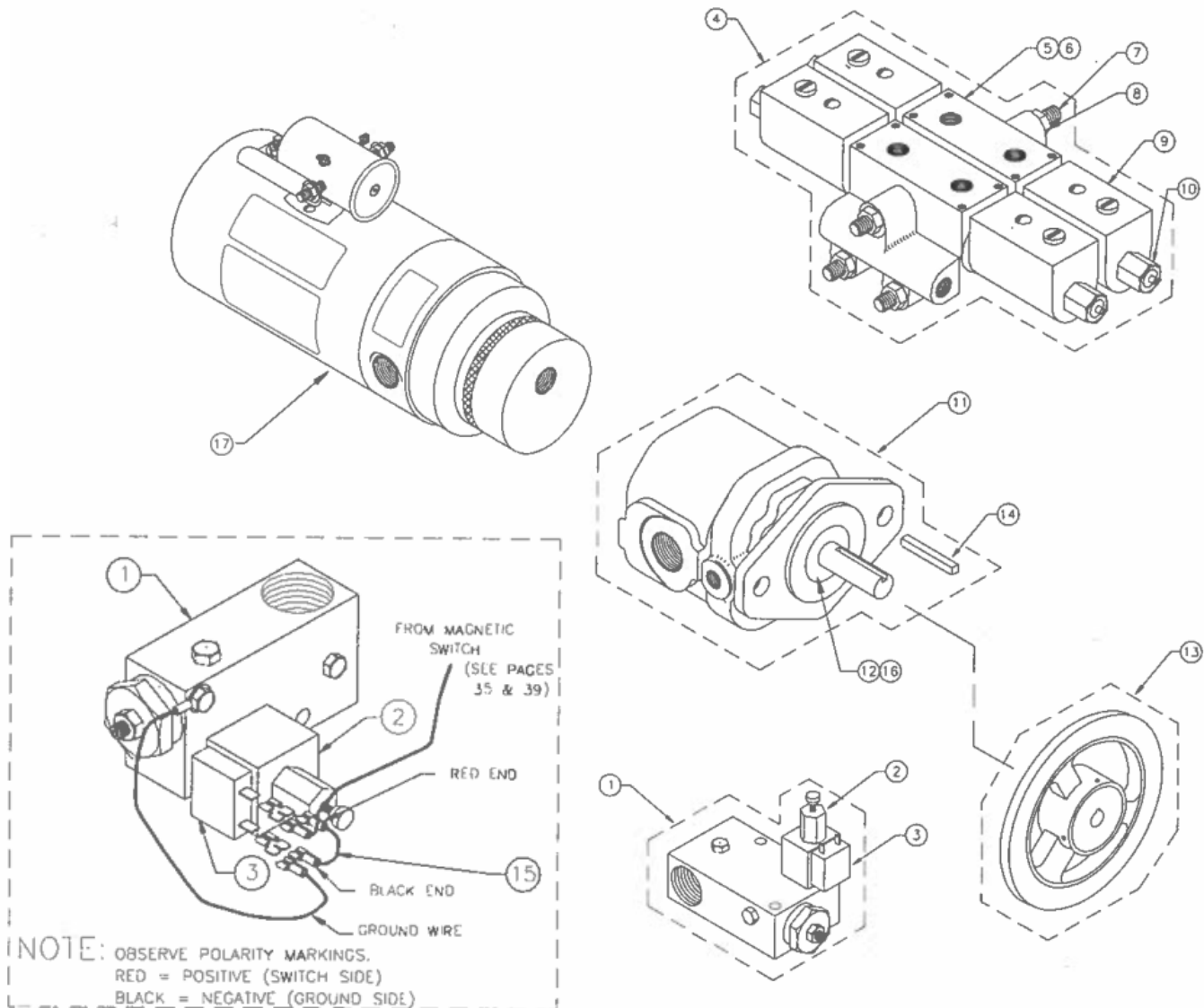


Trailer Hydraulics

Hydraulic Group. 300's Triple Trailer - A8509

#	Part Number	Title	Quantity
1	101642	90 DEG ELBOW, #6 O-RING(M) x #6 JIC(M)	5
2	102161	ADAPTOR, #10 SAE (M) X #8 JIC (M)	1
3	102402	ELBOW, #8 JIC SWIVEL (F), #8 JIC (M)	5
4	102141	TEE, #8 JIC (3/4-16) M.M.F.	1
5	102158	ADAPTER, #8 JIC (9/16-16) F X #6 JIC	2
6	102403	ELBOW, #10 SAE(M), #8 JIC (F) SWVL	1
7	102162	ADAPTOR, #8 JIC TO #6 SAE	1
8	102404	VALVE, CHECK #8 SAE BOTH ENDS	1
9	102405	TEE, #8 SAE (M), #8 JIC (M,M)	1
10	102952	VALVE RELIEF, DISCHARGE DOOR	1
11	101241	ELBOW, LONG, #6 JIC (M), 1/2 NPT (M)	1
12	103229	ADAPTOR, #6 SAE (M) TO #8 JIC (M)	2
13	103228	HOSE, 1/4" X 35" #6 JIC (F) SWVL	1
14	103227	HOSE, 1/4" X 44", 100R1, #6 JIC (F) SWVL	1
15	103354	HOSE, 3/8" X 71", #6 JIC (F) SWVL	1
16	104641	HOSE, 3/8" X 80", #6 JIC (F) SWVL	1
17	102169	HOSE, 1/2 X 14FT, 1/2 NPT (M) TO #8 JIC (F) SWVL	2
18	102171	HOSE, 1/2" X 16FT 100R2 1/2NPT (M) Z #8JIC (F) SW	2
REF 1	A17370	CYLINDER ASS'Y, DROP CHUTE	1
REF 2	A17366	CYLINDER ASS'Y, DISCHARGE DOOR	1
REF 3	102980	MOTOR, ROSS HYDRAULIC	1

Hydraulic Components



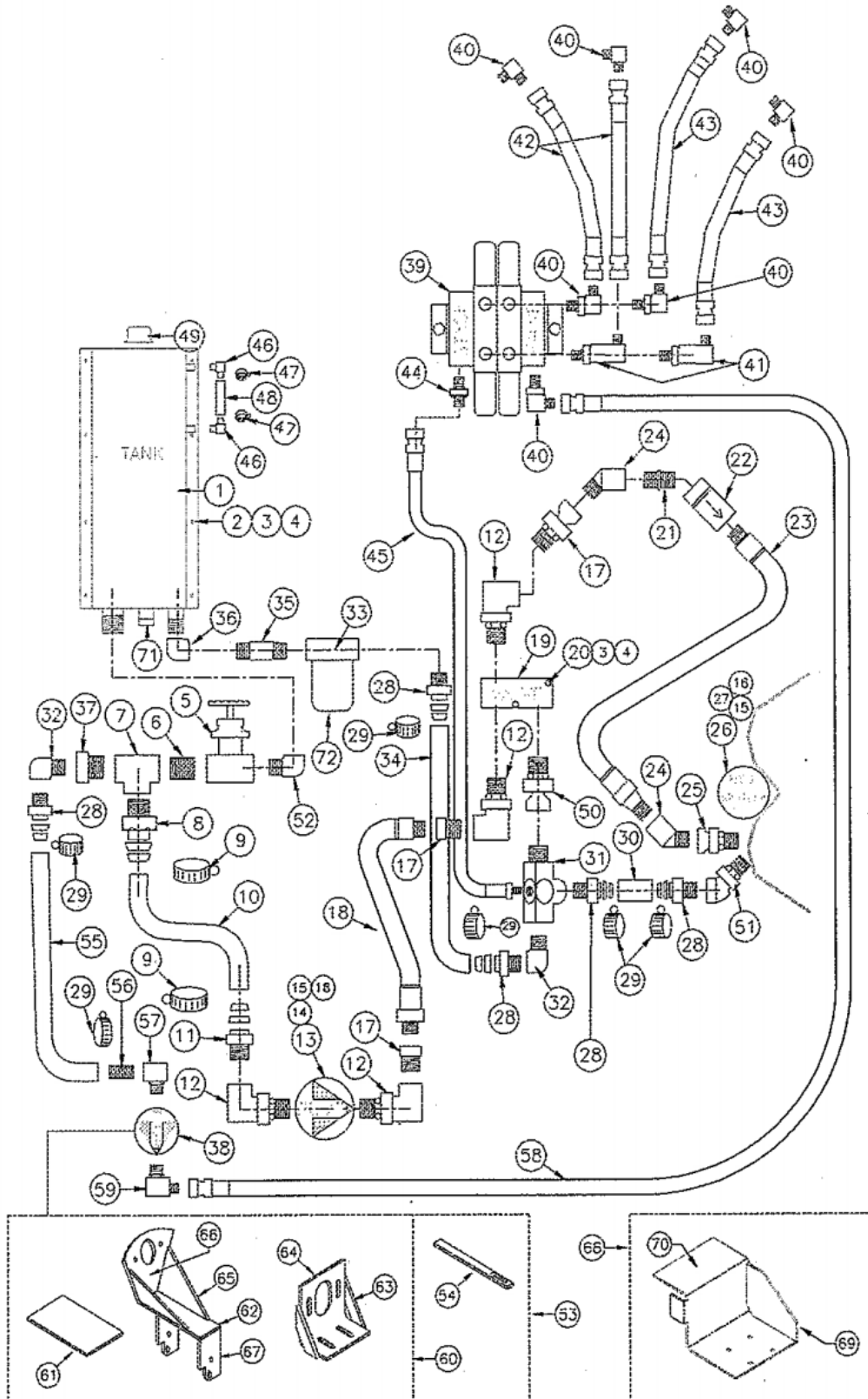
HYDRAULIC COMPONENTS

ITEM	PART #	QTY	DESCRIPTION
1	102368	1	VALVE (SAME AS 101779)
*2	4411	1	SOLENOID CARTRIDGE
3	4413	1	SOLENOID
4	101240	1	STACK VALVE, 2 SPOOL
4	102347	1	STACK VALVE, 3 SPOOL
5	4405	AR	VALVE BANK
6	4406	AR	SEAL KIT, SINGLE SECTION
7	4407	3	TIE ROD (2 BANKS)
7	4408	3	TIE ROD (3 BANKS)
8	4409	6	NUT

ITEM	PART #	QTY	DESCRIPTION
9	4410	AR	COIL
10	4475	AR	NUT
11	100929	1	AUXILIARY PUMP
12	4461	1	SEAL, SHAFT
13	100916	1	PULLEY, 6" DIA.
14	4484	1	KEY
15	A17538	1	DIODE ASSEMBLY
16	4486	1	BEARING
17	103017	1	AUX. PUMP, ELEC.

NOTE: *2 CARTRIDGE INCLUDES MANUAL OVERRIDE KIT (P/N 4516).
AR - AS REQUIRED

Truck Hydraulics



Truck Hydraulics

ITEM	PART #	QTY	DESCRIPTION	ITEM	PART #	QTY	DESCRIPTION
1	A16970	1	VERTICAL TANK ASSEMBLY	*38	100929	1	AUX. PUMP, GEAR
2	100323	8	SCREW	*38	103017	1	AUX. PUMP, ELEC.
3	100304	10	WASHER	39	101240	1	STACK VALVE
4	100221	10	NUT	40	101642	7	ELBOW
5	101852	1	GATE VALVE	41	101241	2	ELBOW
6	101851	1	NIPPLE	42	A17282	2	HOSE ASS'Y (1/4 x 26+/-1(22,30), #6 JIC [F])
7	101853	1	TEE	43	A17283	2	HOSE ASS'Y (1/4 x 81+/-11(70,92), #6 JIC [F])
8	100515	1	HOSE BARB	44	101644	1	ADAPTER, #6 SAE - #6 JIC
9	100514	2	HOSE CLAMP	45	A17284	1	HOSE ASSEMBLY
*10	17143	1	SUCTION HOSE, 16"	46	102485	2	ELBOW
11	102240	1	HOSE BARB	47	102486	2	HOSE CLAMP
12	101856	4	ELBOW	48	17060	1	SIGHT TUBE
13	101848	1	PUMP	49	100182	1	CAP BREATHER
14	101444	2	SCREW	50	102457	1	ADAPTER
15	300826C	4	NUT	51	102479	1	ELBOW
16	100272	4	WASHER	52	100516	1	ELBOW
17	101770	3	BUSHING	53	A7116	1	SUB-BUNDLE, AUX. PUMP
*18	101857	1	HOSE ASSEMBLY, 50"	54	15836	1	BAR, PUMP TENSIONER
19	102368	1	VALVE	*55	14881	1	SUCTION HOSE, 132"
20	100689	2	SCREW	56	100984	1	NIPPLE
21	101859	1	NIPPLE	57	101597	1	ELBOW
22	101860	1	VALVE, CHECK	*58	101783	1	HOSE ASSEMBLY, 164"
23	102659	1	HOSE ASSEMBLY	59	101785	1	ELBOW
24	102478	2	ELBOW	60	A9411	1	BRACKETS, AUXILLIARY PUMP
25	101780	1	ADAPTER	61	15854	1	PLATE 1/4 x 6 x 10
*26	102980	1	HYDRAULIC MOTOR	62	11821	1	PLATE 1/2 x 2 x 7
27	300889C	2	SCREW	63	15855	2	BAR, PUMP BRACE
28	100831	5	HOSE BARB	64	15853	1	PUMP MOUNT ANGLE
29	100761	6	HOSE CLAMP	65	12182	2	GUSSET 1/4 x 3 x 5
30	17280	1	HOSE, RETURN	66	11870	1	PUMP MOUNT PLATE
31	17008	1	TEE	67	11823	2	MOUNT PLATE
32	100941	2	ELBOW	68	A18267	1	MOUNT ASS'Y, AUX. PUMP, ELEC.
33	101242	1	FILTER ASSEMBLY, INCLUDES HEAD	69	18266	1	BRACE PLATE, ELEC. PUMP
34	17144	1	HOSE, RETURN	70	18265	1	MOUNT PLATE, ELEC. PUMP
35	101842	1	NIPPLE	71	101674	1	PLUG, TANK
36	100980	1	ELBOW	72	4310	1	REPLACEMENT FILTER, SPIN-ON
37	101862	1	BUSHING	73	A9558	1	SEAL KIT (FOR 101848)
				74	4461	1	SEAL (FOR 100929)

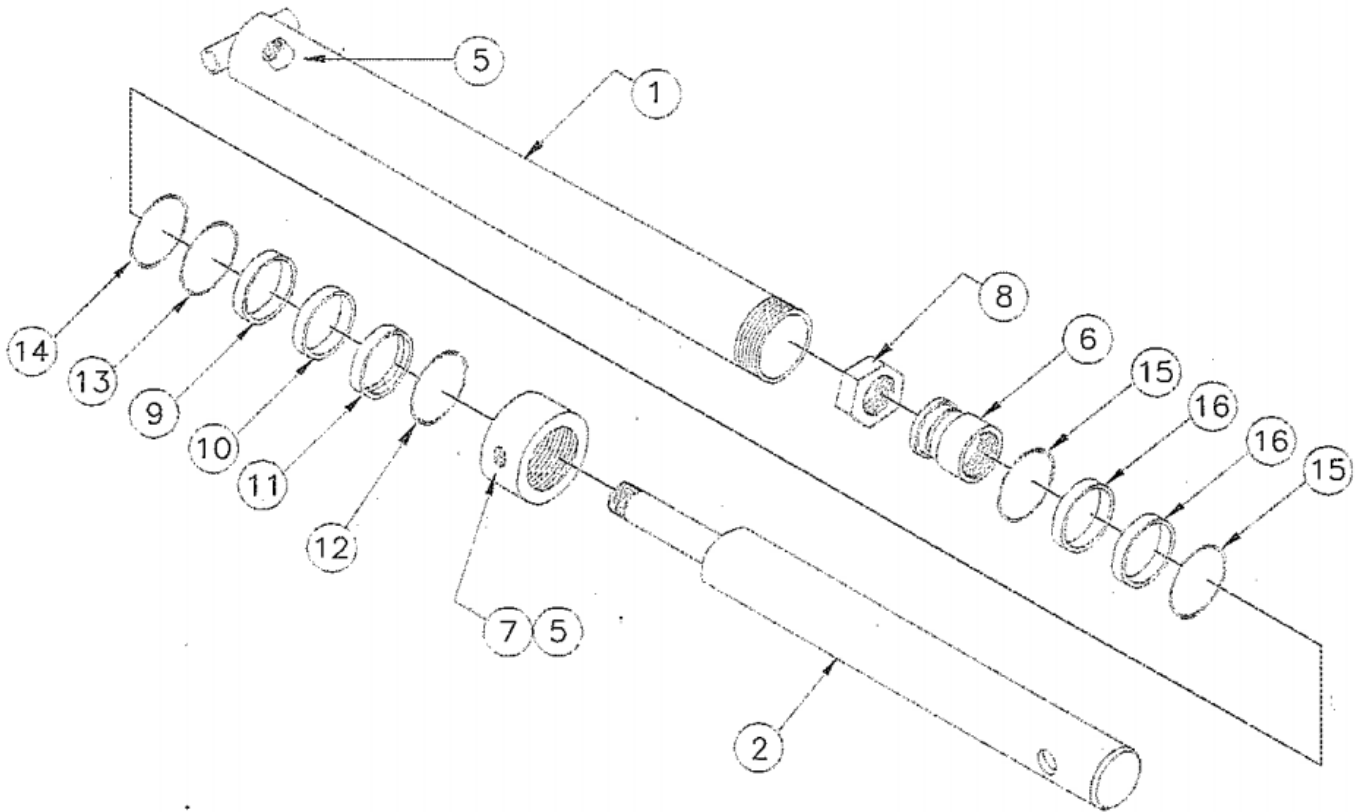
NOTE: *10, *18, *55, *58 MEASURE THE LENGTH OF EACH HOSE BEFORE ORDERING.

*26 USE TRW ROSS HYDRAULIC MOTOR # 102980 AS PRIMARY MOTOR. CHAR-LYNN # 101705 MAY BE USED IF NECESSARY.

*38 PLEASE SPECIFY TYPE OF PUMP, GEAR DRIVEN OR ELECTRIC.

73, 74 - NOTSHOWN

Discharge Door Cylinder



DISCHARGE DOOR CYLINDER

ITEM	PART #	QTY	DESCRIPTION
	A17366	1	CYLINDER ASS'Y, DIS. DOOR
1	A17365	1	CYLINDER BODY ASS'Y
2	15116	1	CYLINDER SHAFT
*3	A9252	1	PISTON SEAL KIT
*4	A9409	1	GLAND NUT SEAL KIT
5	101669	2	PIPE PLUG #6 SAE
6	10092	1	PISTON, 2 1/2" DIA.
7	17364	1	GLAND NUT
8	100248	1	NUT, HEX

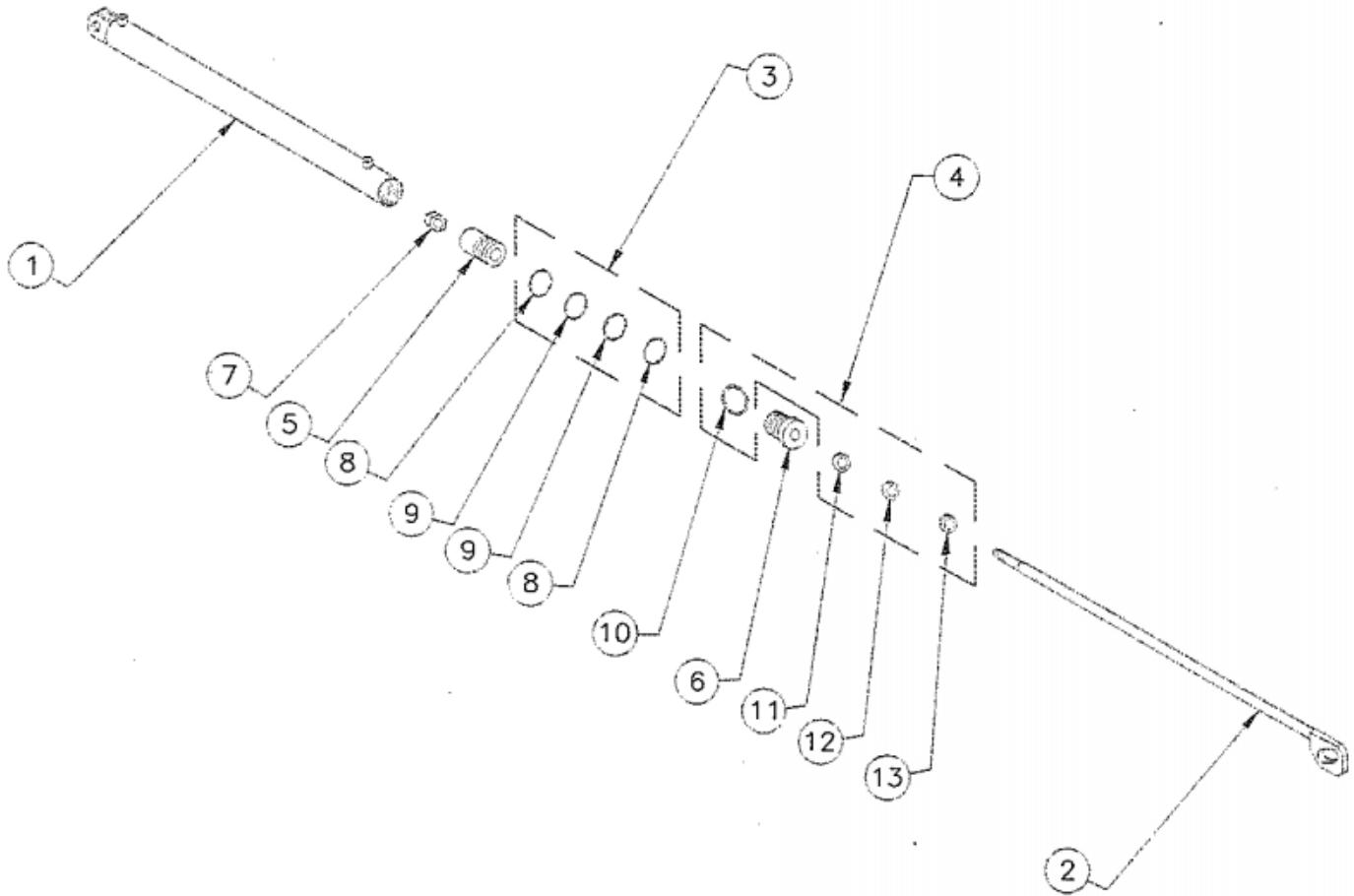
ITEM	PART #	QTY	DESCRIPTION
9	15605	NSS	1 BEARING BUSHING
10	101957	NSS	1 SEAL, POLY
11	15604	NSS	1 WIPER BUSHING
12	100133	NSS	1 WIPER RING
13	100143	NSS	1 RETAINING RING
14	100190	NSS	1 O-RING SEAL
15	100153	NSS	2 O-RING SEAL
16	100732	NSS	2 BACK UP RING

NOTE: *3 INCLUDES ITEMS 15, 16.

*4 INCLUDES ITEMS 9, 10, 11, 12, 13, & 14.

NSS - NOT SOLD SEPARATELY

Drop Chute Cylinder



DROP CHUTE CYLINDER

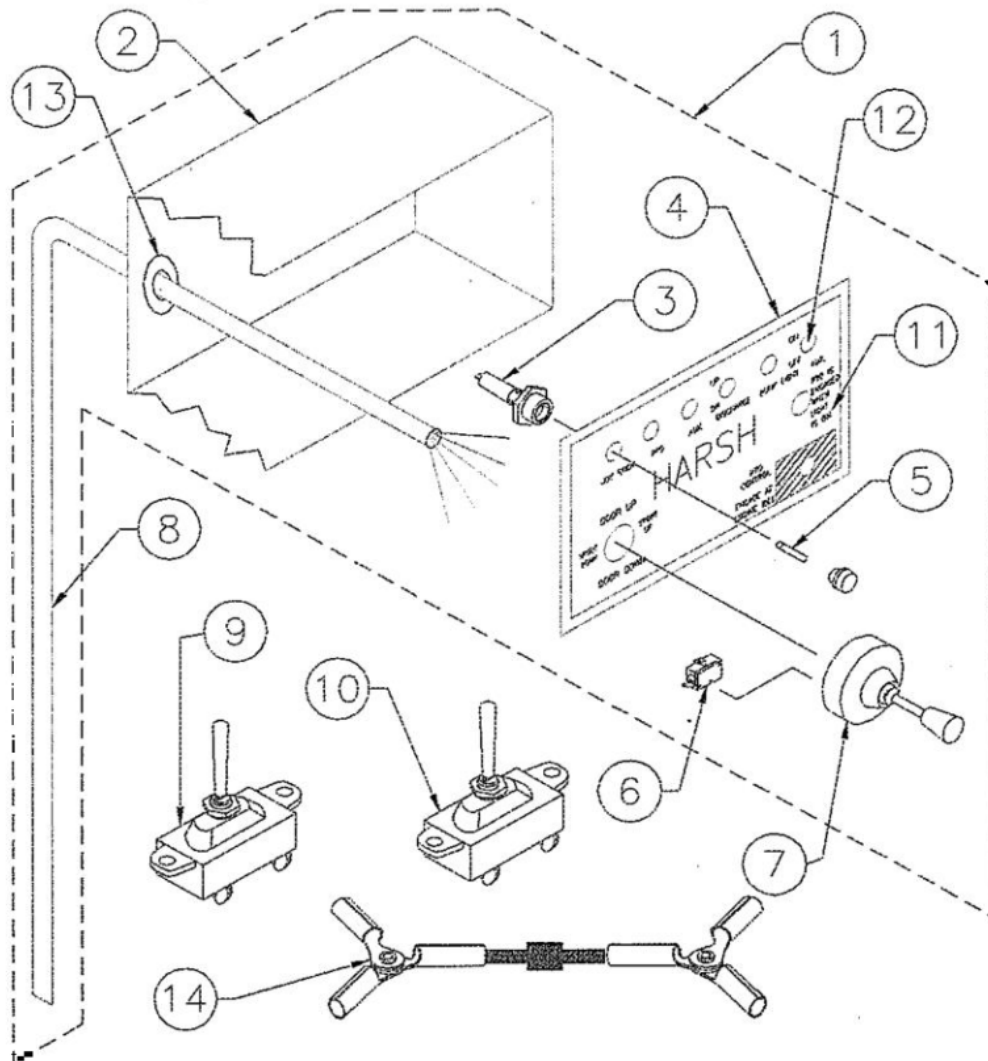
ITEM	PART #	QTY	DESCRIPTION	ITEM	PART #	QTY	DESCRIPTION
1	A17370	1	CHUTE CYLINDER ASSEMBLY	7	100248	1	NUT, HEX
	A17369	1	CYLINDER BODY	8	100153 NSS	2	O-RING
2	A14507	1	CYLINDER SHAFT ASSEMBLY	9	100732 NSS	2	BACK-UP RING
*3	A9252	1	PISTON SEAL KIT	10	100901 NSS	1	O-RING
*4	A9400	1	GLAND NUT SEAL KIT	11	101699 NSS	1	O-RING
5	10092	1	PISTON	12	101698 NSS	1	BACK-UP RING
6	14503	1	GLAND NUT	13	100133 NSS	1	WIPER

NOTE: *3 INCLUDES ITEMS 8, 9.

*4 INCLUDES ITEMS 10-13.

NSS - NOT SOLD SEPARATELY

Electric Switches



ELECTRIC SWITCHES

ITEM PART # QTY DESCRIPTION

*1	A7539	1	CONTROL BOX, JOYSTICK
1	A7456	1	CONTROL BOX, JOYSTICK
2	16781	1	CONTROL BOX, BOTTOM
3	490041	AR	FUSE HOLDER
4	16780	1	CONTROL BOX, LID
5	NPN	AR	FUSE, AGC 10 AMP
6	4404	AR	JOY STICK SWITCH
*7	A17469	1	JOY STICK CONTROL (8 SWITCH)
7	102079	1	JOY STICK CONTROL (4 SWITCH)
8	16399	1	CABLE, 4 CONDUCTOR
*8	17468	1	CABLE, 8 CONDUCTOR

ITEM PART # QTY DESCRIPTION

9	490197	1	PTO SWITCH
10	101324	2	TOGGLE SWITCH
11	102422	1	DECAL, JOY STICK CONTROL BOX
12	102295	AR	PLUG
13	102294	1	GROMMET, CABLE
14	A17539	1	DIODE ASSEMBLY
15	A16110	1	INDICATOR PEDESTAL
16	102328	1	DIGITAL LCD REVOLUTION COUNTER
17	490392	1	REVOLUTION COUNTER MAGNET - top
18	490343	1	REVOLUTION COUNTER MAGNET - bottom

NOTE: AR - AS REQUIRED

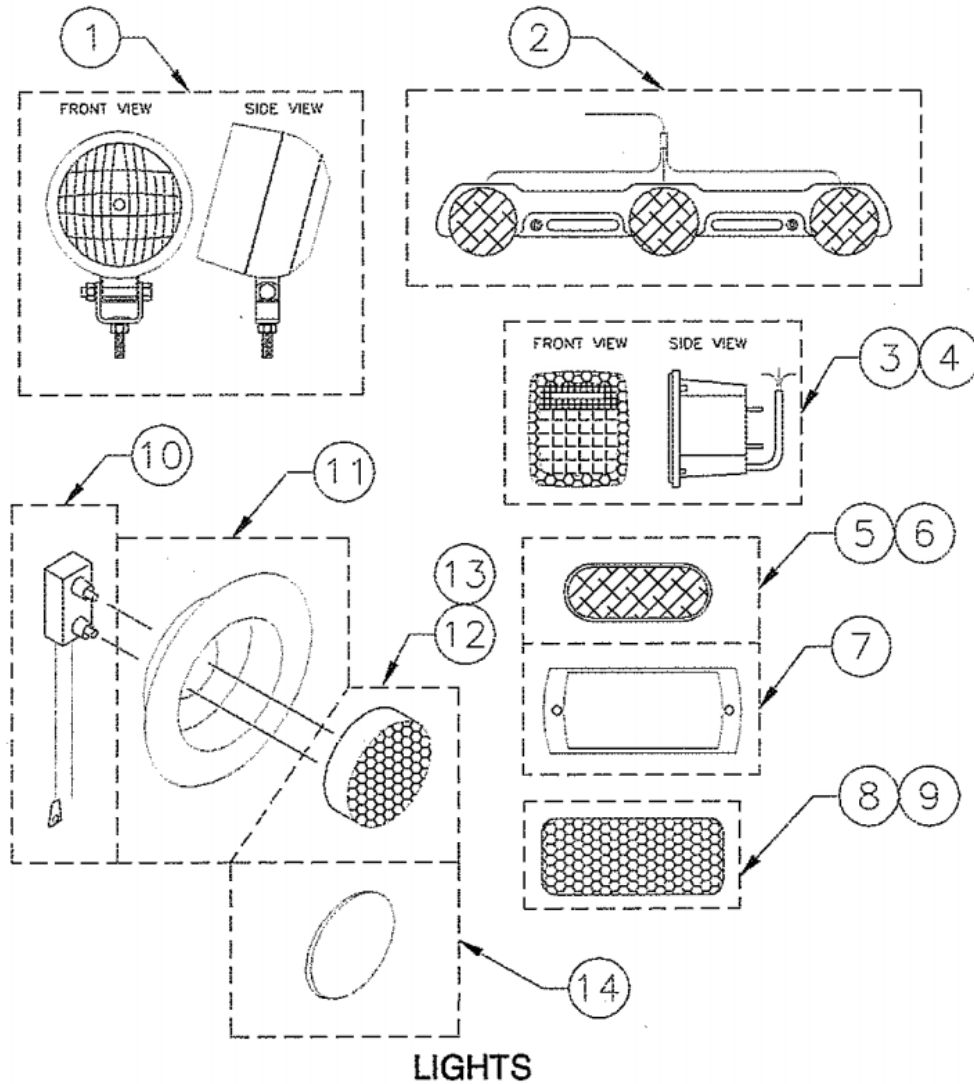
NPN - NO PART NUMBER

*1, *7, & *8 FOR MONARCH PUMP MODEL #628 ONLY.

*7 & 7 JOY STICK CONTROL INCLUDES PART #4404 (JOY STICK SWITCH).

15, 16, 17, 18 - NOT SHOWN

Lights

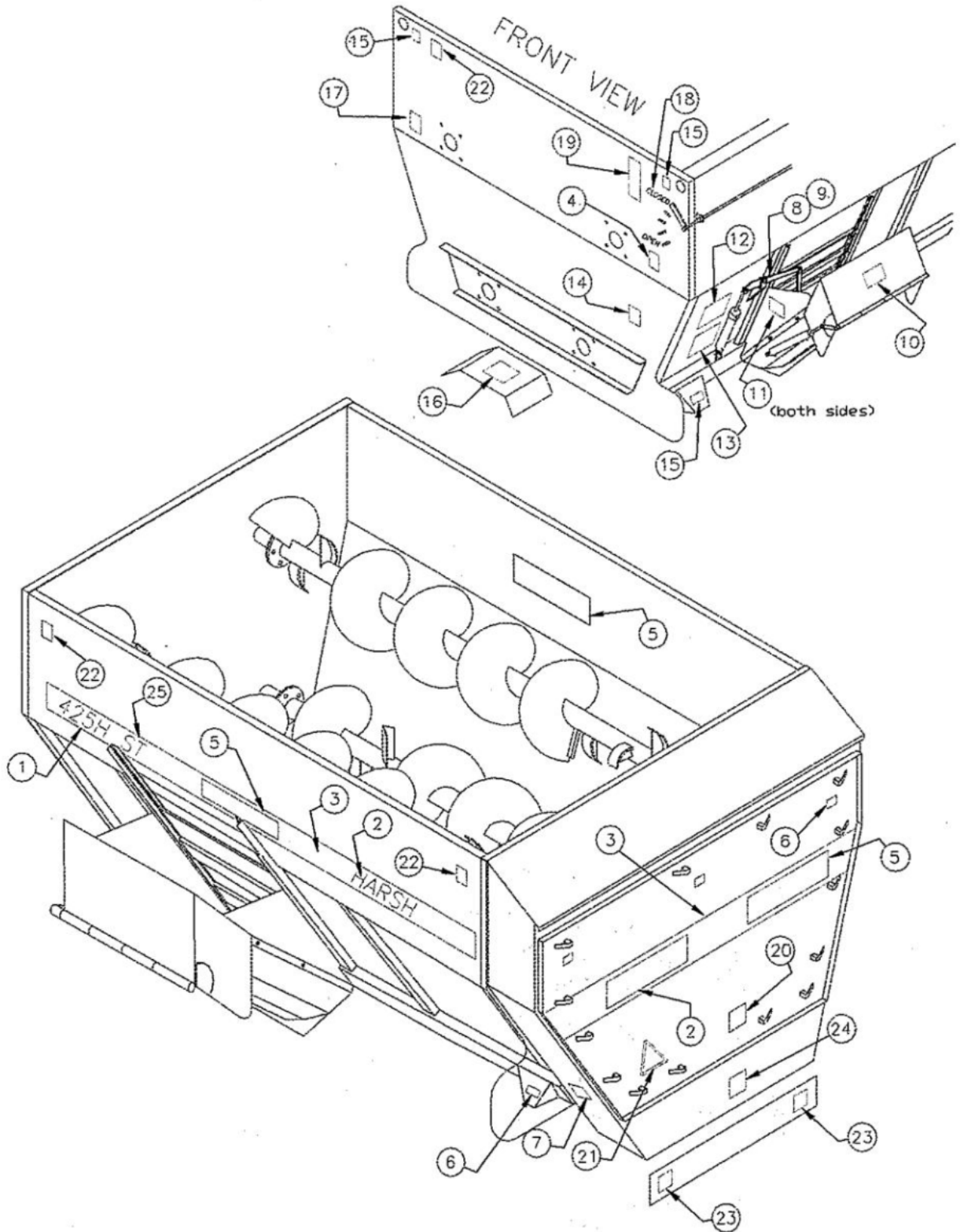


ITEM	PART #	QTY	DESCRIPTION
1	102439	AR	BUNK LIGHT
2	100335	AR	TRIPLE IDENTIFICATION LIGHT
3	102244	AR	TAIL LIGHT, LEFT
4	102257	AR	TAIL LIGHT, RIGHT
5	102241	AR	CLEARANCE LIGHT, RED
6	102242	AR	CLEARANCE LIGHT, AMBER
7	102243	AR	CHROME GUARD, CLEARANCE LIGHT
8	102361	AR	REFLECTOR, RED
9	102360	AR	REFLECTOR, ORANGE
10	102491	AR	12V PLUG, CLEARANCE LIGHT (FOR GROMMET)
11	102490	AR	GROMMET, CLEARANCE LIGHT (FOR 3" HOLE)
12	102493	AR	CLEARANCE LIGHT, RED (FOR GROMMET)
13	102492	AR	CLEARANCE LIGHT, AMBER (FOR GROMMET)
14	NPN	AR	STEEL PLUG (FOR GROMMET - W/O CLEARANCE LIGHT)

NOTE: AR - AS REQUIRED
NPN - NO PART NUMBER

Mixer Decals

325 - 375 - 425



Mixer Decals

325 - 375 - 425

ITEM	PART #	QTY	DESCRIPTION	ITEM	PART #	QTY	DESCRIPTION
1	102721	2	325H DECAL	17	102108	1	DANGER, D/L 1000 RPM - 21 SPLINE
1	102722	2	375H DECAL	17	102579	1	DANGER, D/L 1000 RPM - 20 SPLINE
1	102723	2	425H DECAL	18	101992	1	DOOR MARKER, TRAILER
2	102549	3	HARSH, SIDE & REAR DOOR DECAL	*19	102071	1	DANGER, DO NOT ENTER
3	102546	35'	RED STRIPE, SIDE 325	20	102370	1	DO NOT OPERATE W/O SHIELD
3	102546	39'	RED STRIPE, SIDE 375	21	102556	1	SLOW MOVING VEHICLE (TRAILER)
3	102546	43'	RED STRIPE, SIDE 425	*22	102777	5	TUB GUARD DECAL
*4	102110	1	DECAL, LOADING SEQUENCE	23	102097	2	DECAL, NO LIFT (TRAILER)
*5	102359	3	DECAL, HAYMOGENIZER	24	102776	1	GEARBOX SPROCKET ROTATION
6	102361	2	RED REFLECTOR (TRUCK)	25	102548	2	DECAL, WHITE, ST (STATIONARY)
6	102361	5	RED REFLECTOR (TRAILER, STATIONARY)	*26	103086	12	DECAL, ROTATING DRIVELINE
7	102070	1	OIL BATH MAINTENANCE	**	A9611	1	325 DECAL KIT (TRUCK)
8	103083	1	DECAL, DISCHARGE DOOR ARM	**	A9612	1	325 DECAL KIT (TRAILER)
9	101181	1	DECAL, DOOR MARKER TRUCK	**	A9917	1	325 DECAL KIT (STATIONARY)
10	103084	1	DECAL, DISCHARGE DOOR CHUTE	**	A9613	1	375 DECAL KIT (TRUCK)
11	103085	2	DECAL, SIDE DISCHARGE	**	A9614	1	375 DECAL KIT (TRAILER)
12	102109	1	CAUTION, BEFORE WELDING	**	A9918	1	375 DECAL KIT (STATIONARY)
13	102069	1	DECAL, MAINTENANCE	**	A9615	1	425 DECAL KIT (TRUCK)
14	102874	1	DECAL, OFF-ROAD USE (TRAILER)	**	A9616	1	425 DECAL KIT (TRAILER)
15	102360	2	ORANGE REFLECTOR (TRUCK)	**	A9920	1	425 DECAL KIT (STATIONARY)
15	102360	4	ORANGE REFLECTOR (TRAILER, STATIONARY)	**	A9595	1	SAFETY DECAL KIT (MOBILE MIXERS)
16	102358	1	DANGER, DRIVE LINE	**	A9915	1	SAFETY DECAL KIT (STATIONARY)
17	102107	1	DANGER, DRIVE LINE 540 RPM - 6 SPLINE	**	A9433	1	DECAL KIT, HAYMOGENIZER

NOTE:

*4, *5 HAYMOGENIZER AND LOADING SEQUENCE DECALS ARE FOR HAYBOX ONLY.

*19 INSTALL NEXT TO LADDER.

*22 TO BE INSTALLED ON MIXERS EQUIPPED WITH TUB GUARD OPTION (SEE PAGE 85).

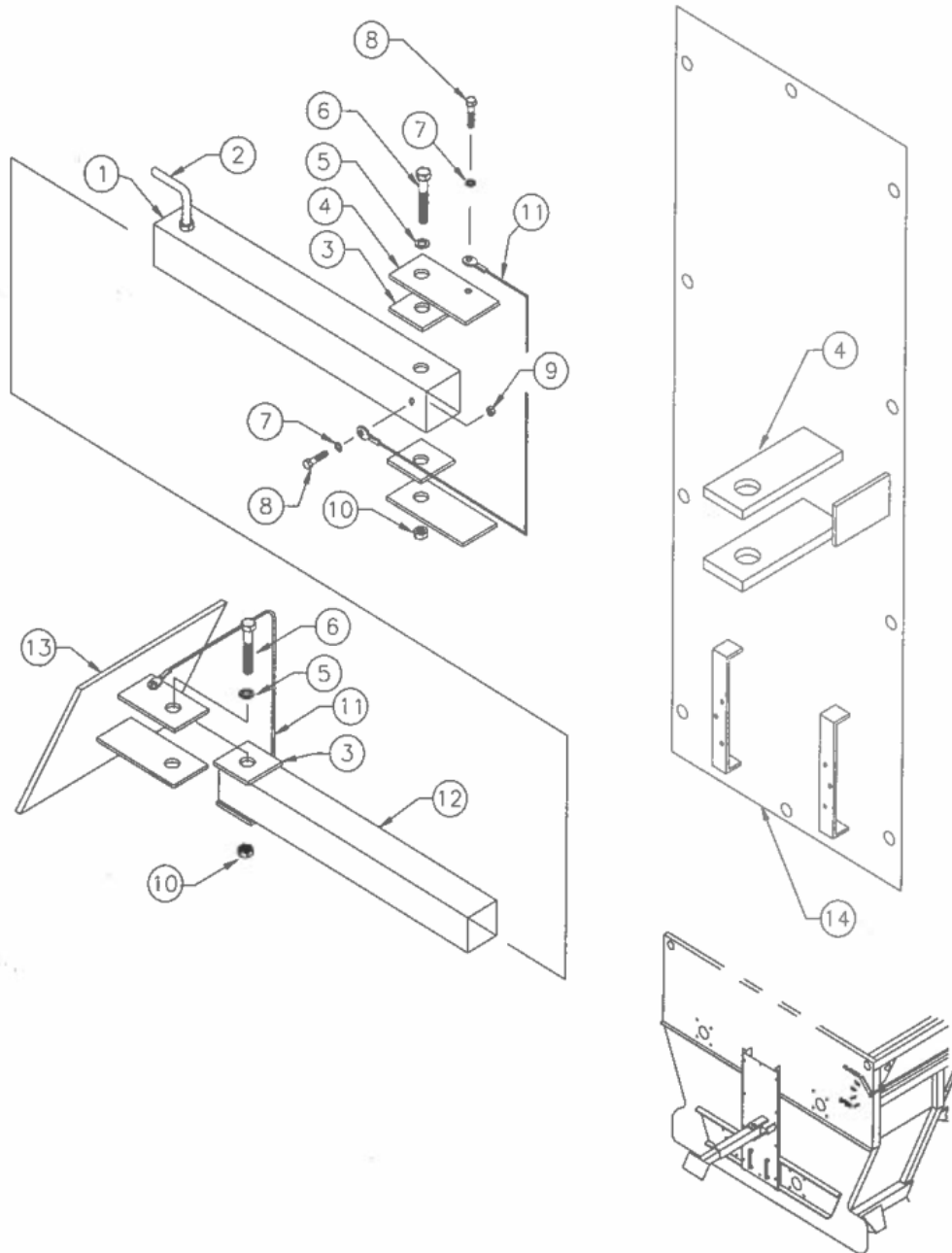
*26 APPLY IN VISIBLE LOCATION TO GTD COVER AND ALL SUBFRAME SUPPORTD (STATIONARY MIXERS ONLY).

**DECALS INCLUDED IN DECAL KITS ARE EQUAL TO DECALS ATTACHED TO MIXER AT THE TIME OF SHIPMENT.

DECALS NOT AVAILABLE SEPARATELY... PURCHASED BY KIT ONLY.

HARSH ENCOURAGES THE REPLACEMENT OF ALL SAFETY DECALS WHEN THEY BECOME UNREADABLE, DAMAGED, OR IF THE UNIT IS REPAINTED. IN ORDER TO ASSURE MIXERS ARE COMPLETELY REDECALED WITH ALL THE NECESSARY SAFETY DECALS, THEY ARE INCLUDED IN THE TRUCK AND TRAILER DECAL KITS. IF YOU DO NOT DESIRE TO PURCHASE THE COMPLETE MIXER DECAL KIT, YOU CAN PURCHASE ONLY THE SAFETY DECAL KIT WHICH WILL PROVIDE YOU WITH THE SAFETY AND OPERATION DECALS ONLY.

Swing Arm

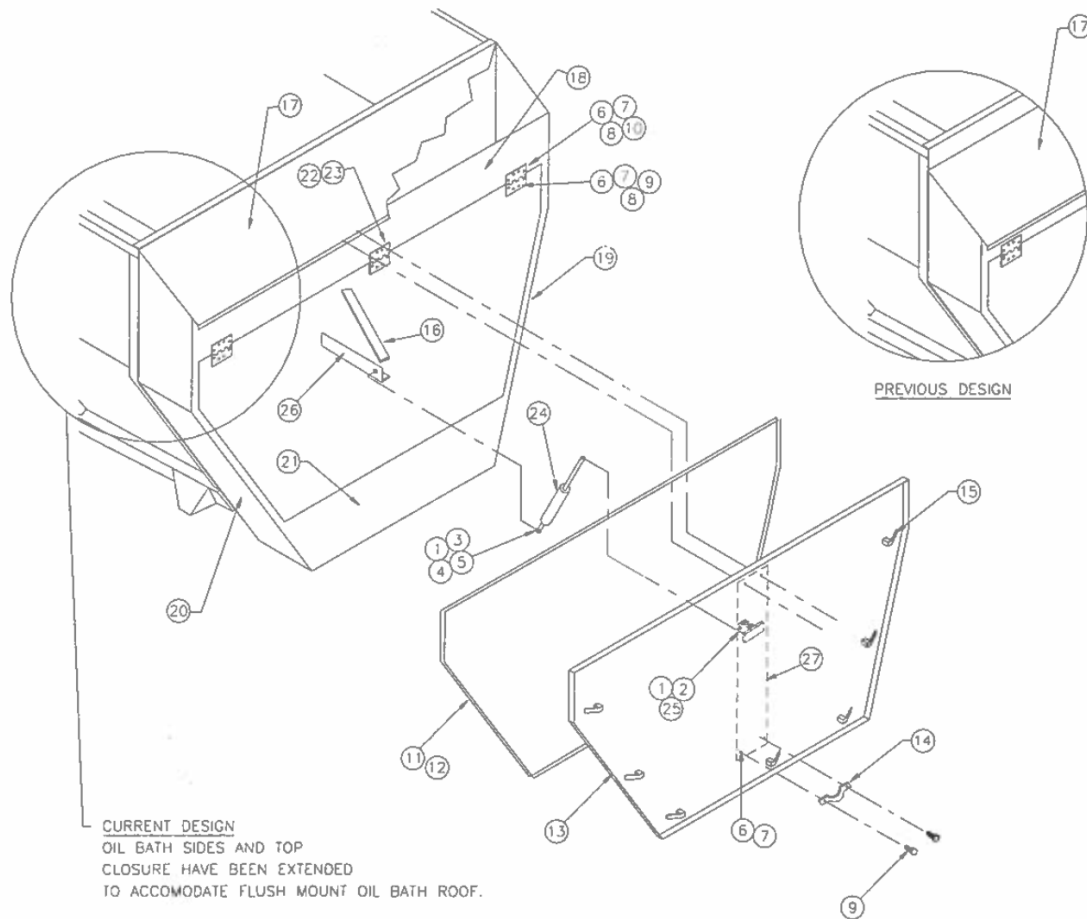


SWING ARM

ITEM	PART #	QTY	DESCRIPTION
1	A15320	1	INDICATOR MNT TUBE ASSEMBLY
2	101902	1	HANDLE, SET SCREW
3	15318	4	FRICTION PAD
4	15319	2	CLEVIS, WELD ON
5	100272	2	LOCK WASHER
6	101811	2	SCREW
7	100304	4	LOCK WASHER
8	101819	4	SCREW

ITEM	PART #	QTY	DESCRIPTION
9	100221	4	NUT
10	300826	2	NUT
11	A16362	2	GROUNDING STRAP
12	15316	1	EXTENSION TUBE
13	A15315	1	EXTENSION ASSEMBLY EATON
13	A16059	1	EXTENSION ASSEMBLY J-STAR
13	A19182	1	EXTENSION ASSEMBLY OMNI
14	A17067	1	INDICATOR MNT PLATE ASSEMBLY

Rear Oil Bath & Doors



REAR OIL BATH & DOORS

ITEM	PART #	QTY	DESCRIPTION	ITEM	PART #	QTY	DESCRIPTION
1	100240	2	SCREW, HEX HD CAP	17	18966	1	OIL BATH ROOF
2	101985	1	NUT, LOCK	*17	17549	1	OIL BATH ROOF
3	100300	2	WASHER, FLAT	18	18965	1	OIL BATH TOP CLOSURE
4	100271	1	WASHER, LOCK	*18	17548	1	OIL BATH TOP CLOSURE
5	100254	2	NUT, HEX	19	18963	1	OIL BATH SIDE, RIGHT
6	100221	26	NUT	*19	17546	1	OIL BATH SIDE, RIGHT
7	100304	26	LOCK WASHER	20	18964	1	OIL BATH SIDE, LEFT
8	100443	24	WASHER, FLAT	*20	17547	1	OIL BATH SIDE, LEFT
9	101819	14	SCREW	21	15988	1	OIL BATH BOTTOM CLOSURE
10	102761	12	SCREW	22	102446	3	HINGE
*11	102481	6.5'	SEAL, FLEXIBLE DOOR 1/4	23	17026	3	HINGE BACK PLATE
*12	102477	11'	SEAL, FLEXIBLE DOOR 1/8	24	102451	1	STRUT, GAS CHARGED SUPPORT
*13	17674	1	OIL BATH DOOR	25	A17927	1	STRUT MOUNT ASS'Y
14	102779	1	HANDLE, OIL BATH DOOR	26	17962	1	ANGLE, STRUT MOUNT
15	101305	7	LATCH	27	17961	1	CHANNEL, FORMED DOOR BRACE
16	17864	1	BAR, STRUT MOUNT BRACE				

NOTE: *11 - TO BE USED ON TOP OF DOOR OPENING.

*12 - TO BE USED ON SIDES AND BOTTOM OF DOOR OPENING.

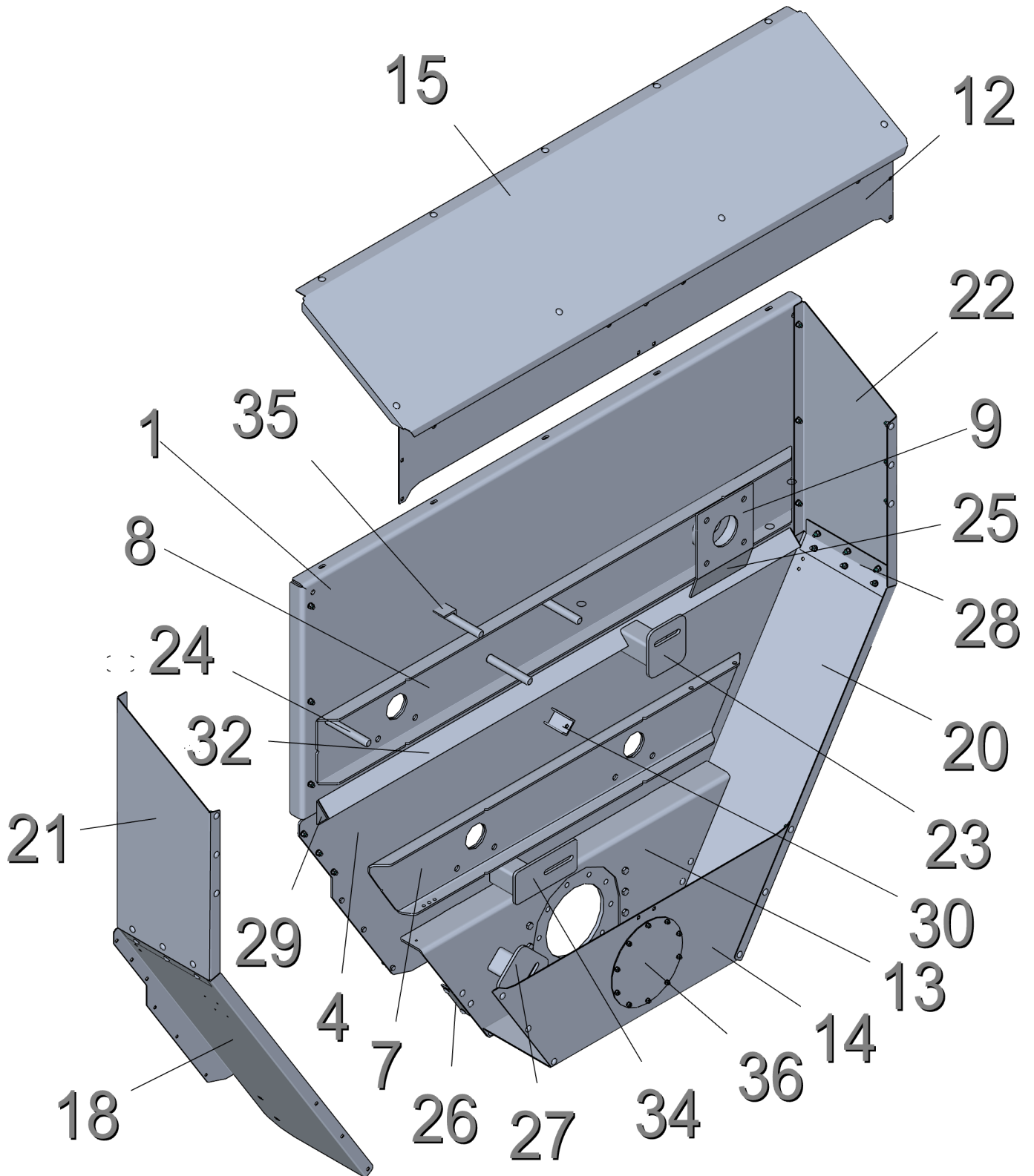
*13 - MEASURE EXISTING DOOR BEFORE ORDERING REPLACEMENT.

17, 18, 19, 20 - USED ON ALL UNITS S/N (325HB9000, 375HB9000, 425HB9000) AND ABOVE.

*17, *18, *19, *20 - PREVIOUS DESIGN, USED ON UNITS UP TO S/N (325HB8000, 375HB8000, 425HB8000). CHECK MIXER IF S/N IS BETWEEN (325HB8000, 375HB8000, 425HB8000) AND (325HB9000, 375HB9000, 425HB9000).

Chain Closure

Chain Closure Ass'y, 300's W/502 Gearbox - A24099

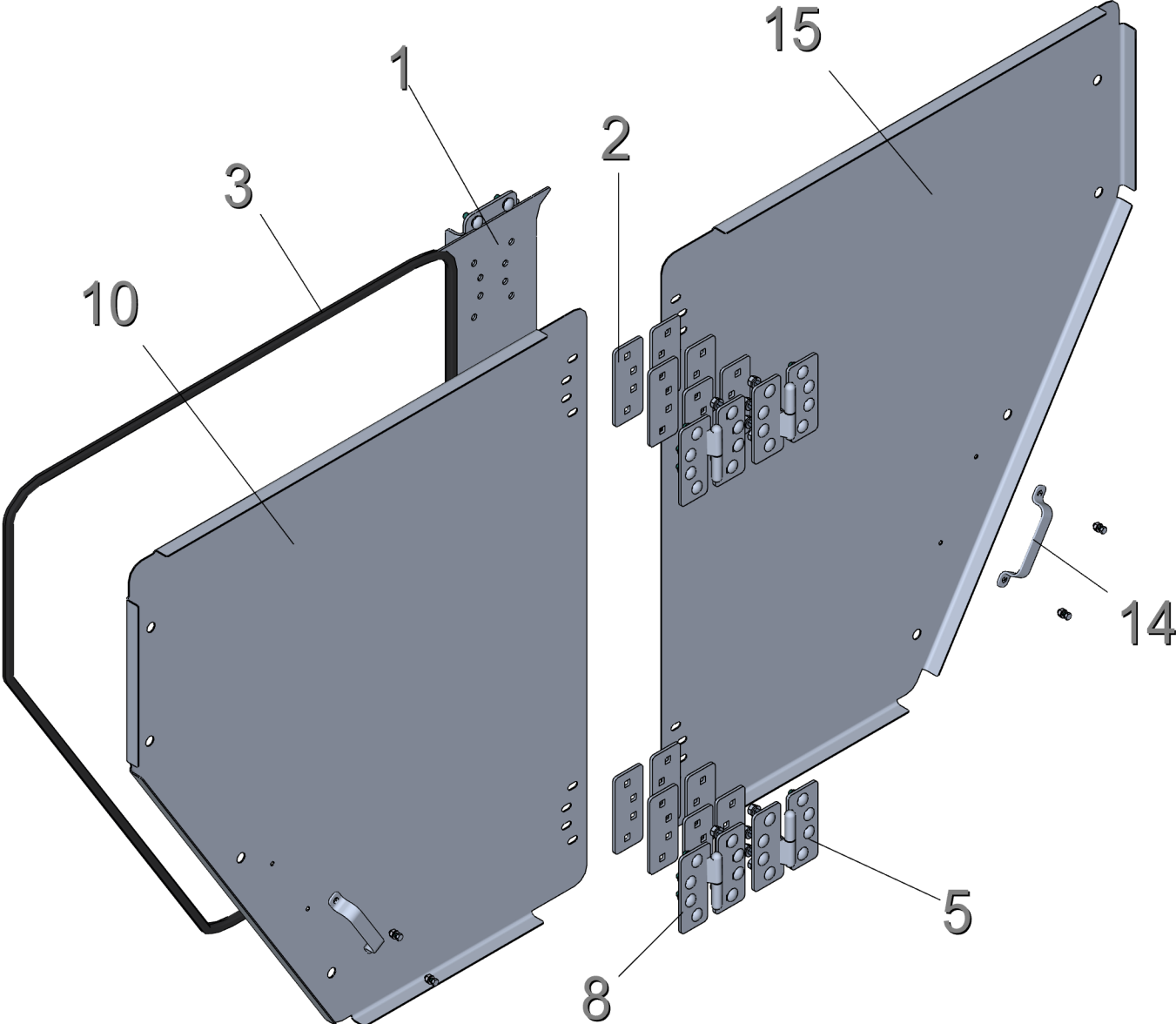


Chain Closure

#	Part Number	Title	Quantity
1	24093	SHEET, REAR END TOP, BOLT ON -300'S	1
2	100254	NUT, HEX 3/8 -16 UNC GR 5	65
3	100170	WASHER, LOCK 5/16	10
4	24094	SHEET, REAR END BOTTOM, BOLT ON- 300'S	1
5	102096	SCREW, CARRIAGE HD 3/8-16 X 1 GR 5	51
6	101890	DEE RING, 3/4	9
7	24095	CHANNEL, BEARING MNT LOWER FORMED, BOLT ON	1
8	24096	CHANNEL, UPPER REAR BEARING, BOLT ON	1
9	A16801	BEARING OFFSET ASSY, 300'S	1
10	100271	WASHER, LOCK 3/8"	65
11	101134	SCREW, HEX HD CAP 5/16-18 UNC X 3/4 GR.5	10
12	24103	CLOSURE, CHAIN CLOSURE TOP, FRONT 300'S	1
13	A24097	CHAIN CLOSURE BACK PLATE ASS'Y, 300'S	1
14	A24100	BOTTOM ASSY, CHAIN CLOSURE, 300'S	1
15	24109	ROOF, CHAIN CLOSURE - 300'S	1
16	100300	WASHER, FLAT 3/8" USS	8
17	104164	SCREW, 3/8-16 X 1 1/4 CARRIAGE	8
18	24104	SIDE, LEFT, BOTTOM, CHAIN CLOSURE 300'S	1
19	100297	NUT, HEX 5/16	10
20	24105	SIDE, RIGHT, BOTTOM, CHAIN CLOSURE 300'S	1
21	24106	SIDE, LEFT, TOP, CHAIN CLOSURE 300'S	1
22	24107	SIDE, RIGHT, TOP, CHAIN CLOSURE 300'S	1
23	A24176	TENSIONER ASS'Y, TOP-RIGHT, 300'S	1
24	15010	PIN, IDLER 1 OD X 6 1/2 LG	4
25	24114	OFFSET BEARING BRACE, 1/4X3 1/4X9	1
26	24092	ANGLE, CHAIN CLOSURE BOTTOM CORNER TIE	2
27	A24178	TENSIONER ASS'Y, 300 LOWER LEFT	1
28	24108	SPLICE PLATE, CHAIN CLOSURE SIDES, 300'S	2
29	23036	CLOSURE, FRONT SHEET ANGLE	2
30	15244	CHANNEL, IDLER MOUNT 1 X 2 X 3 LG	1
31	104535	WASHER, 7/16 FLAT	5
32	23947	ANGLE, REAR END STIFFENER, 500'S	1
33	100692	SCREW, HX HD CAP 3/8-16 UNC X 1 1/2	6
34	A24309	TENSIONER ASS'Y, CENTER, 300'S	1
35	13758	ANGLE, PIN BRACE 1/4 X 2 X 2 X 2	1
36	19525	PLATE, ACCESS HOLE COVER	1

Chain Closure Doors

Door Group, Chain Closure, 300's - A8477



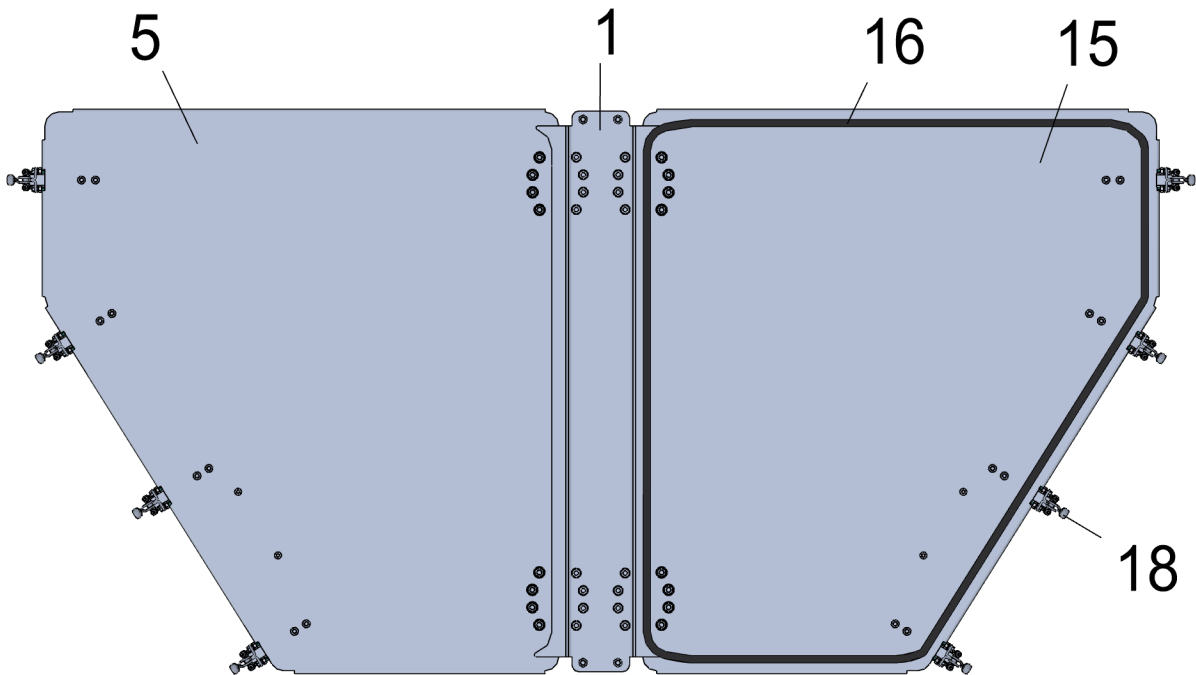
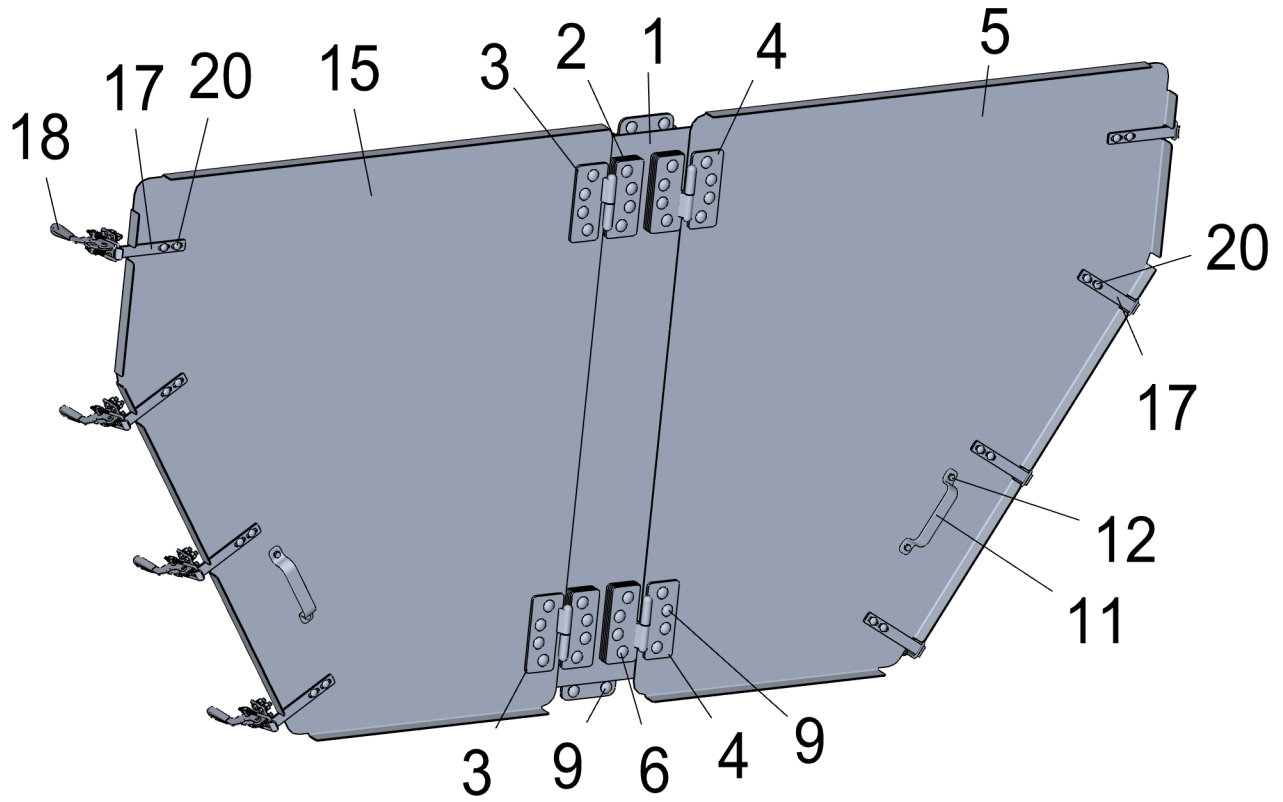
Chain Closure Doors

Door Group, Chain Closure, 300's - A8477

#	Part Number	Title	Quantity
1	A24115	CENTER MEMBER, CHAIN CLOSURE DOOR, 300S	1
2	23432	PLATE, DOOR HINGE SPACER	12
3	102477	FLEXIBLE DOOR SEAL	1
4	100254	NUT, HEX 3/8 -16 UNC GR 5	36
5	A23436	HINGE ASS'Y, REAR SHEET DOOR (RIGHT)	2
6	102096	SCREW, CARRIAGE HD 3/8-16 X 1 GR 5	20
7	100271	WASHER, LOCK 3/8"	36
8	A23435	HINGE ASS'Y, REAR SHEET DOOR (LEFT)	2
9	102621	SCREW, CARRIAGE HEAD 3/8-16 UNC X 1 1/2 GR5	16
10	24122	DOOR, LEFT, BOLT ON, 300'S	1
11	100221	NUT, HEX, 1/4-20 UNC GR 5	4
12	100304	WASHER, LOCK 1/4 CADMIUM PLATED	4
13	101474	SCREW, HX HD CAP 1/4-20 X 5/8	4
14	102779	HANDLE, OIL BATH DOOR	2
15	24121	DOOR, RIGHT, BOLT ON, 300'S	1
16	100300	WASHER, FLAT 3/8" USS	16

Chain Closure Doors

DOOR GROUP, CHAIN CLOSURE - 300'S (PULL LATCHES) - A8592

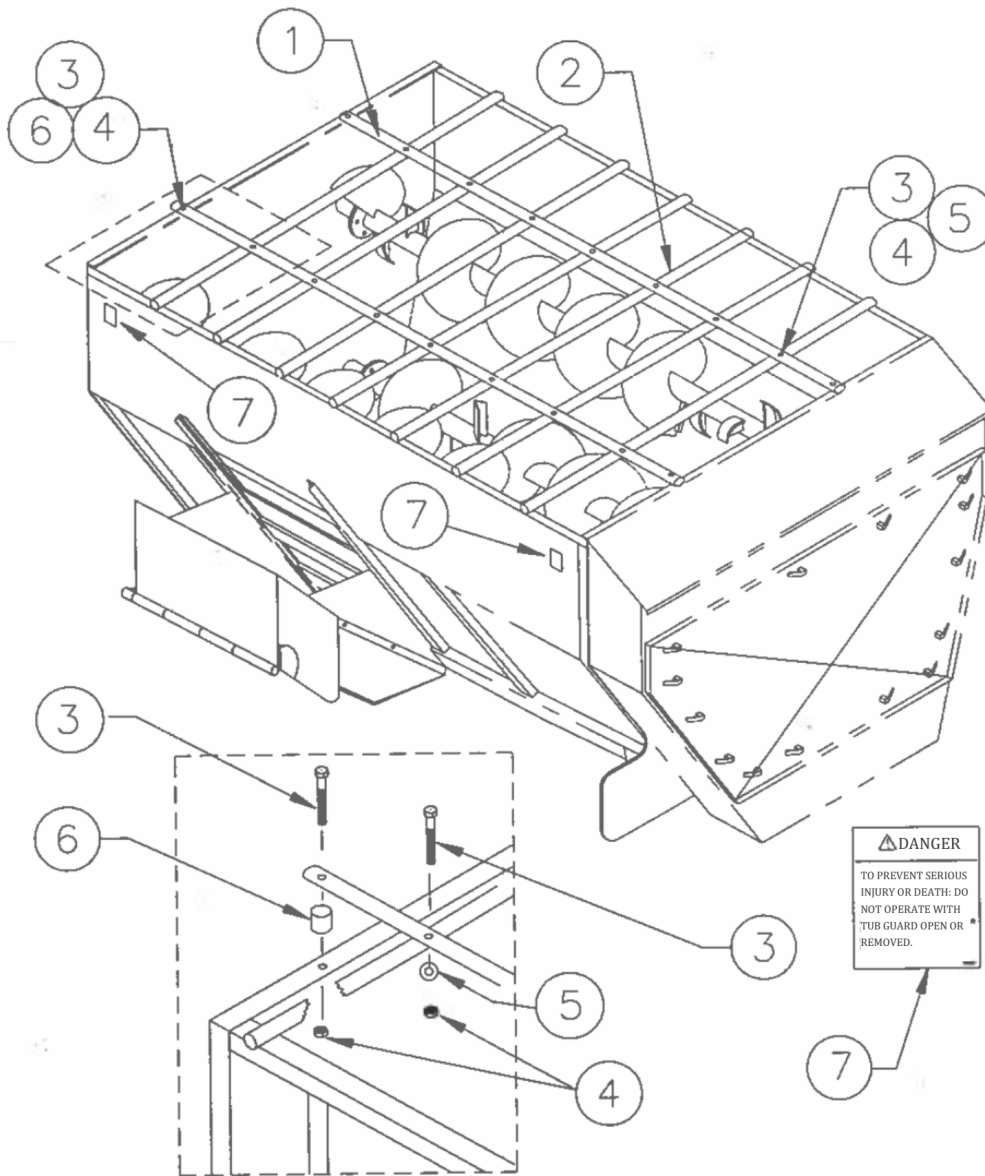


Chain Closure Doors

DOOR GROUP, CHAIN CLOSURE - 300'S (PULL LATCHES) - A8592

#	Part Number	Title	Quantity
1	A24115	CENTER MEMBER, CHAIN CLOSURE DOOR, 300S	1
2	23432	PLATE, DOOR HINGE SPACER	12
3	A23435	HINGE ASS'Y, REAR SHEET DOOR (LEFT)	2
4	A23436	HINGE ASS'Y, REAR SHEET DOOR (RIGHT)	2
5	24940	DOOR, RIGHT - CHAIN CLOSURE, 300'S (PULL LATCHES)	1
6	102621	SCREW, CARRIAGE HEAD 3/8-16 UNC X 1 1/2 GR5	16
7	100271	WASHER, LOCK 3/8"	36
8	100254	NUT, HEX 3/8 -16 UNC GR 5	36
9	102096	SCREW, CARRIAGE HD 3/8-16 X 1 GR 5	20
10	100300	WASHER, FLAT 3/8" USS	16
11	102779	HANDLE, OIL BATH DOOR	2
12	101474	SCREW, HX HD CAP 1/4-20 X 5/8	4
13	100304	WASHER, LOCK 1/4 CADMIUM PLATED	36
14	100221	NUT, HEX, 1/4-20 UNC GR 5	36
15	24939	DOOR, LEFT - CHAIN CLOSURE, 300'S (PULL LATCHES)	1
16	102477	FLEXIBLE DOOR SEAL	1
17	24923	LATCH HOOK, CHAIN CLOSURE DOOR	8
18	104889	LATCH, CHAIN CLOSURE DOOR	8
19	101819	SCREW, HX HD CAP 1/4-20 UNC X 3/4	32
20	101965	SCREW, CARRIAGE HD 5/16-18 X 3/4	16
21	100170	WASHER, LOCK 5/16	16
22	100297	NUT, HEX 5/16	16

Tub Guard



⚠ DANGER
 TO PREVENT SERIOUS
 INJURY OR DEATH: DO
 NOT OPERATE WITH
 TUB GUARD OPEN OR
 REMOVED.

TUB GUARD

ITEM PART # QTY DESCRIPTION

*	A17260	1	TUB GUARD ASSEMBLY (325)
*	A17261	1	TUB GUARD ASSEMBLY (375)
*	A18005	1	TUB GUARD ASSEMBLY (425)
1	17253	2	PIPE, TUB GUARD 144" LG. (325)
1	17254	2	PIPE, TUB GUARD 168" LG. (375)
1	17255	2	PIPE, TUB GUARD 192" LG. (425)
2	17248	7	PIPE, TUB GUARD 80" LG. (325)
2	17248	9	PIPE, TUB GUARD 80" LG. (375)
2	17248	11	PIPE, TUB GUARD 80" LG. (425)
3	102127	18	SCREW, HEX HEAD CAP (325)

ITEM PART # QTY DESCRIPTION

3	102127	22	SCREW, HEX HD CAP (375)
3	102127	26	SCREW, HEX HD CAP (425)
4	102574	18	NUT, HEX NY-LOCK (325)
4	102574	22	NUT, HEX NY-LOCK (375)
4	102574	26	NUT, HEX NY-LOCK (425)
5	100713	18	WASHER, FLAT (325)
5	100713	22	WASHER, FLAT (375)
5	100713	26	WASHER, FLAT (425)
6	17256	4	PIPE, GUARD SPACER 3/4 LG.
*7	102777	5	DECAL, TUB GUARD

NOTE: *TUB GUARD ASSEMBLIES INCLUDE ALL PARTS SHOWN.

